

maurices

TOPPERS & OUTERWEAR

SILHOUETTE GUIDE

TOPPERS & OUTERWEAR

CLASSES



2000
SOFT TOPPERS



4000
PU JACKETS



5000
BLAZERS



6000
JACKETS

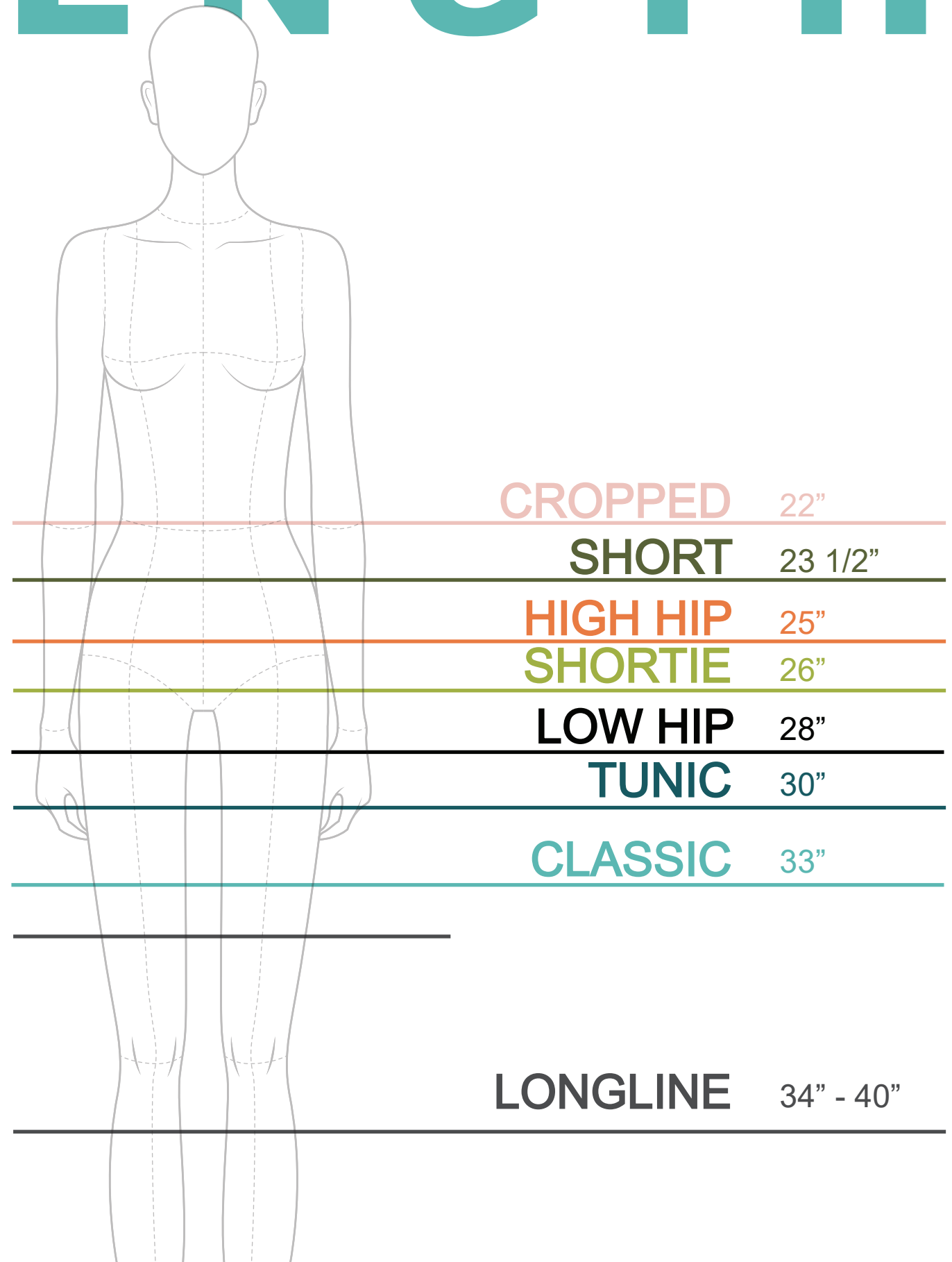
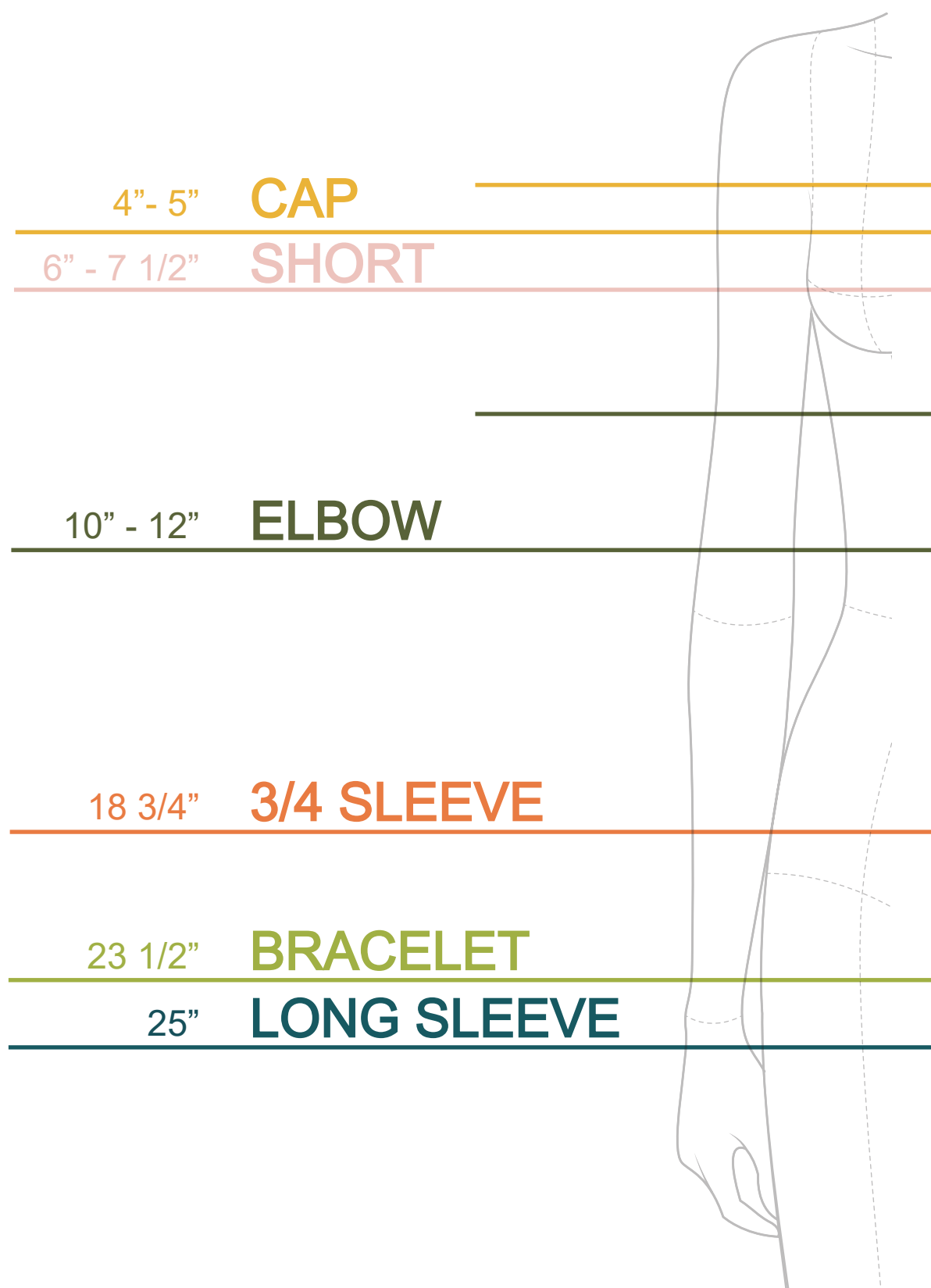


7000
OUTERWEAR



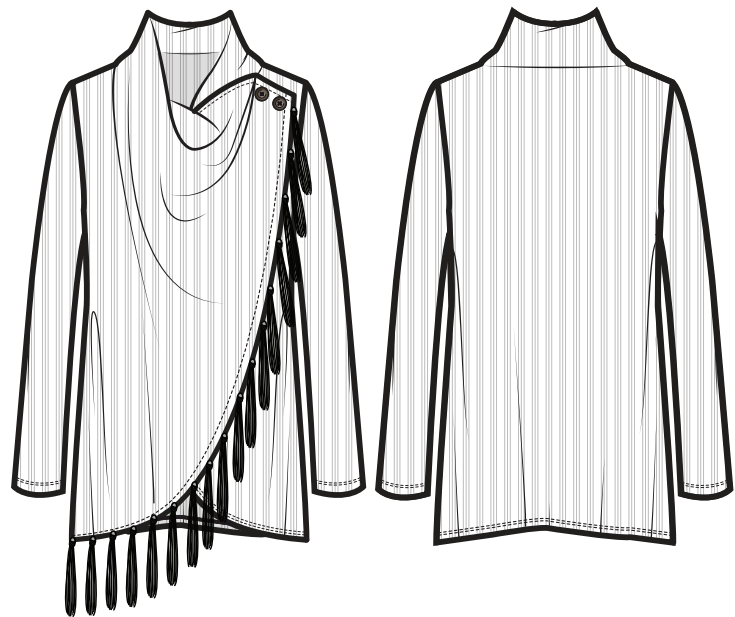
8000
VESTS

BODY LENGTHS

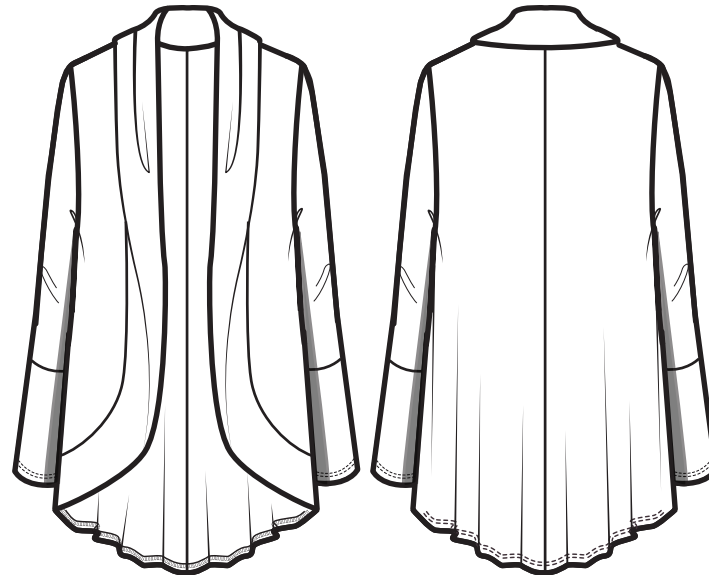


2000

SOFT TOPPERS



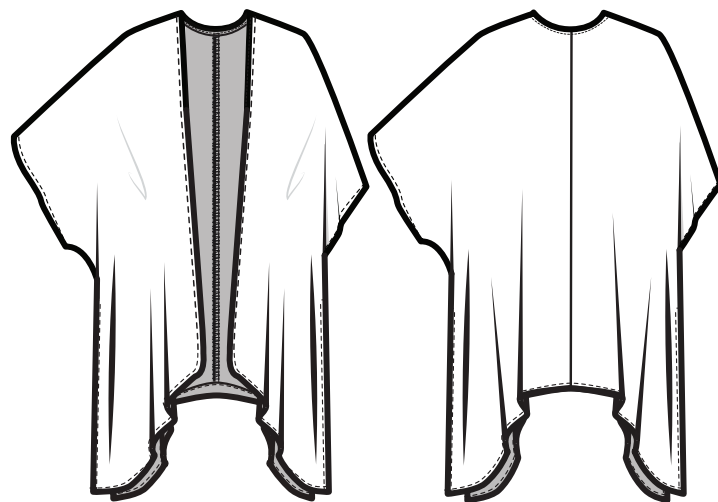
WRAP FRONT
CARDIGAN



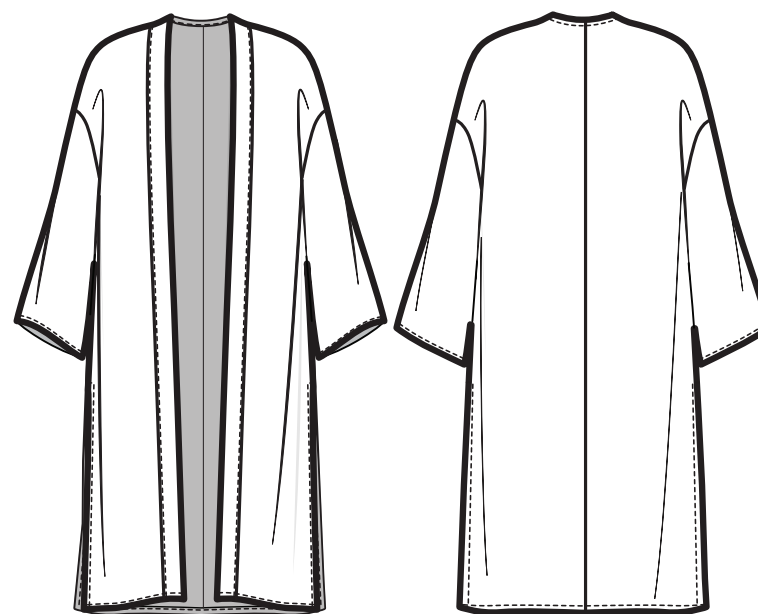
CRESSA
CARDIGAN



DUSTER
CARDIGAN

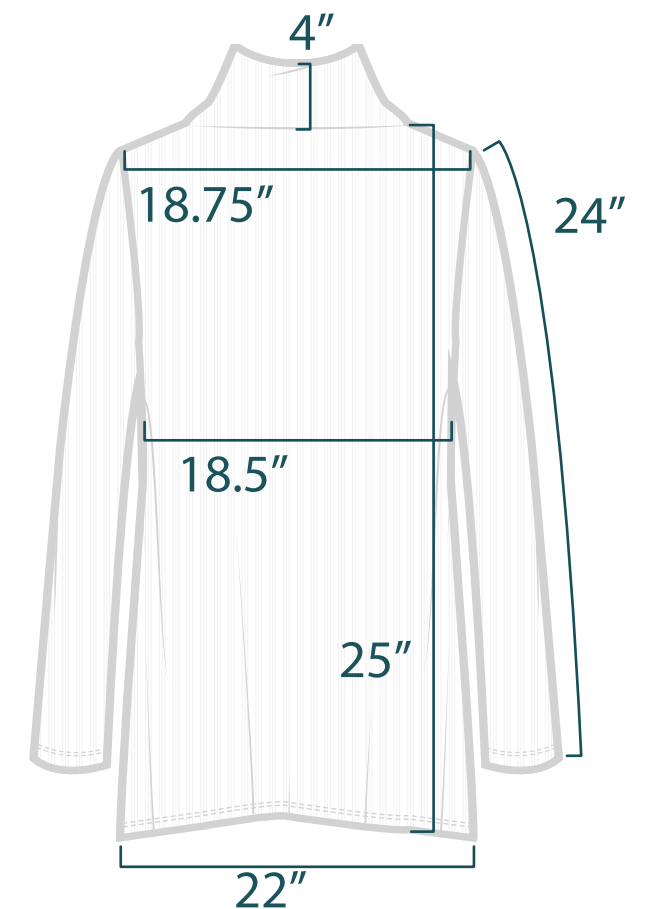
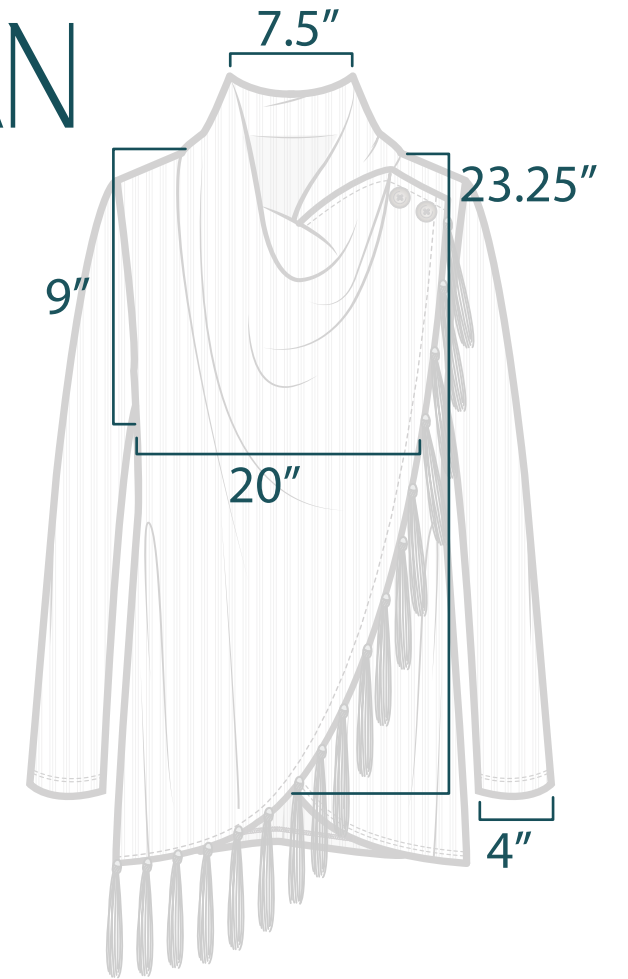
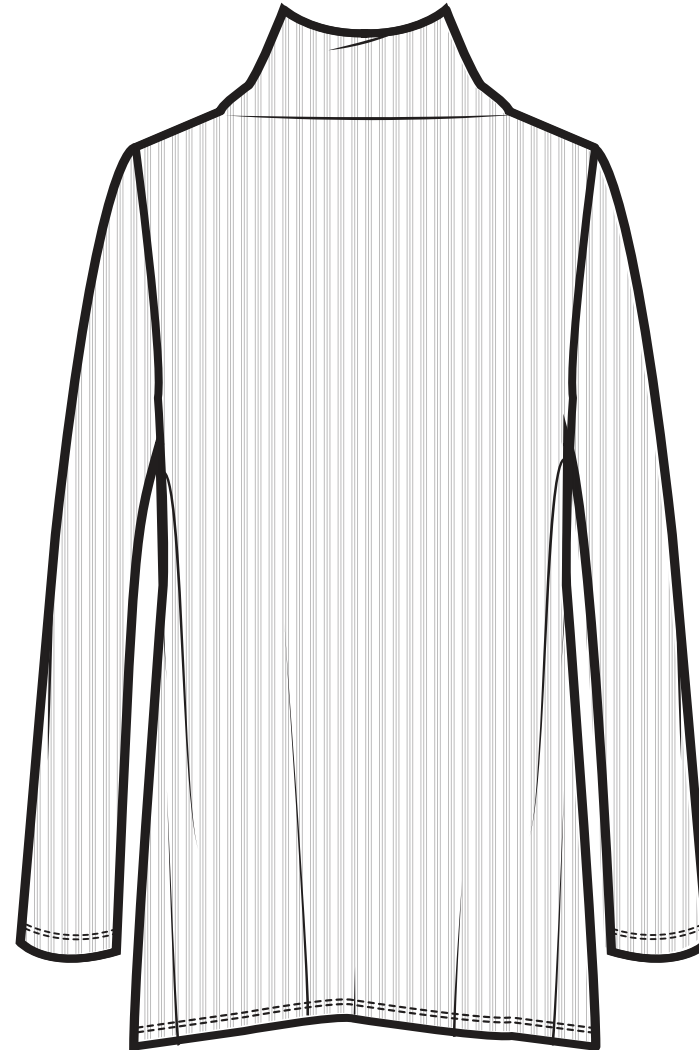
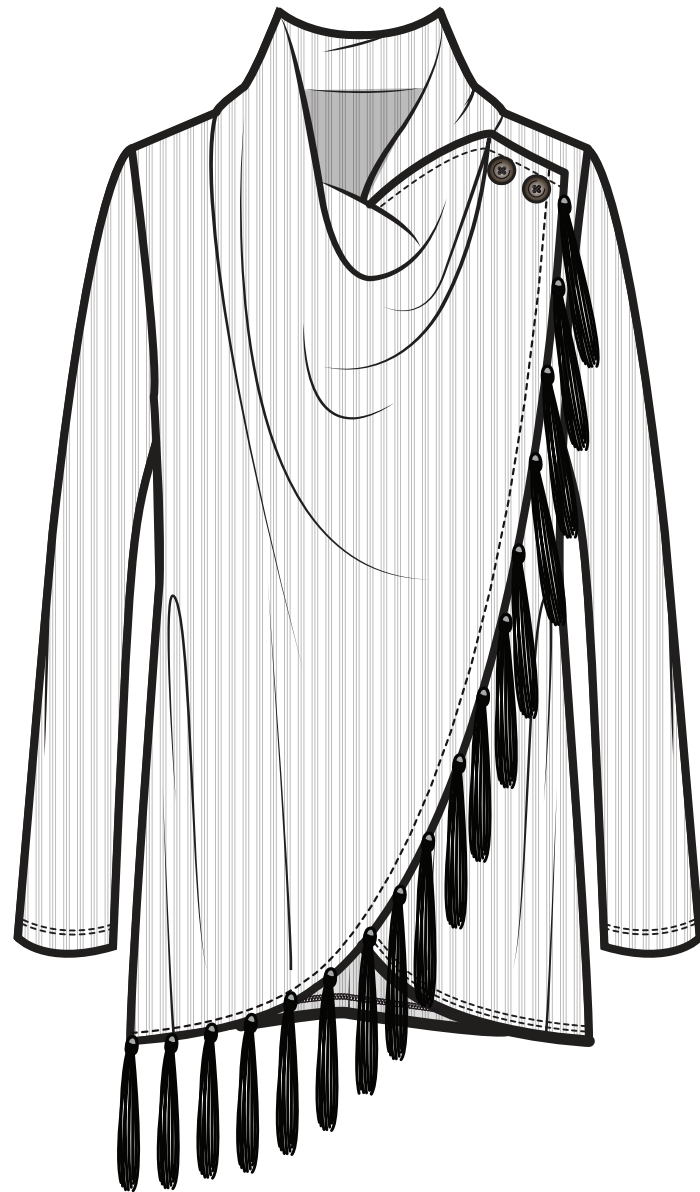


RUANA



KIMONO

ASSYMETRICAL WRAP FRONT CARDIGAN



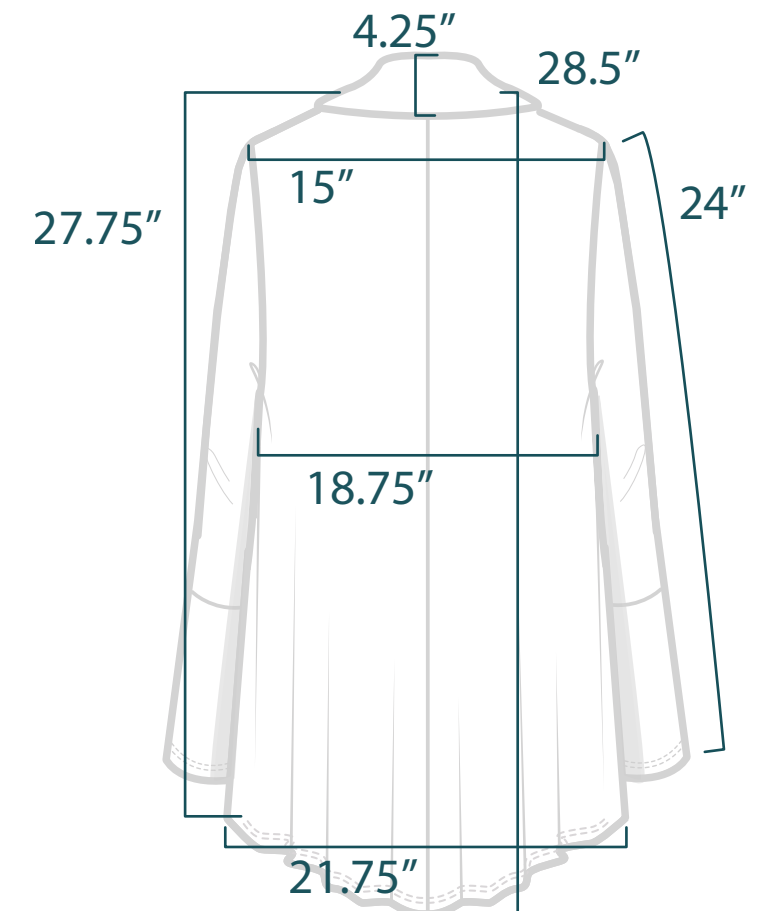
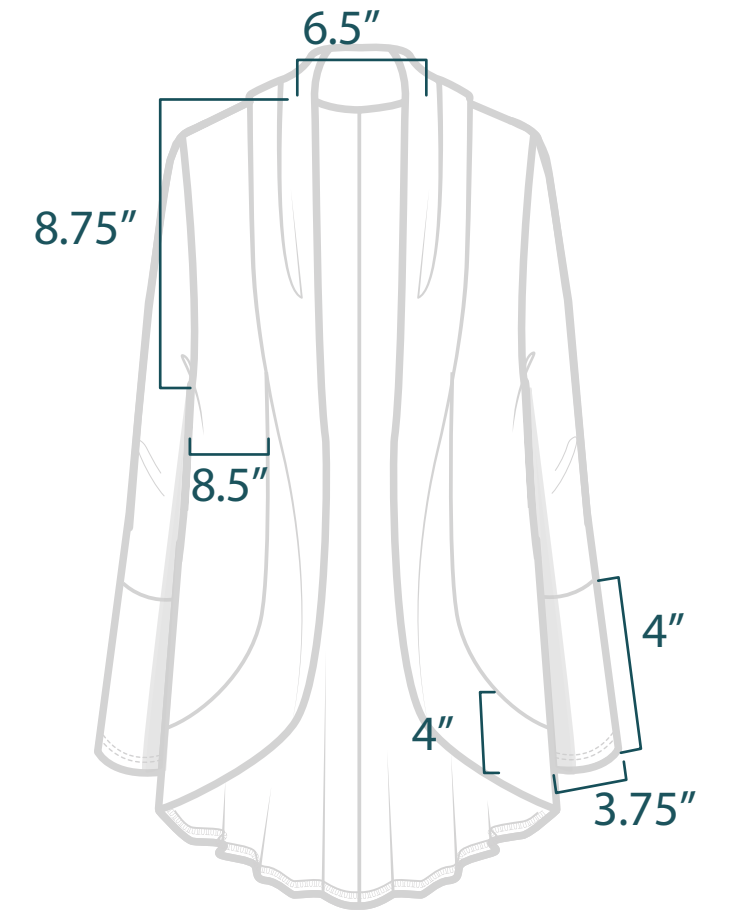
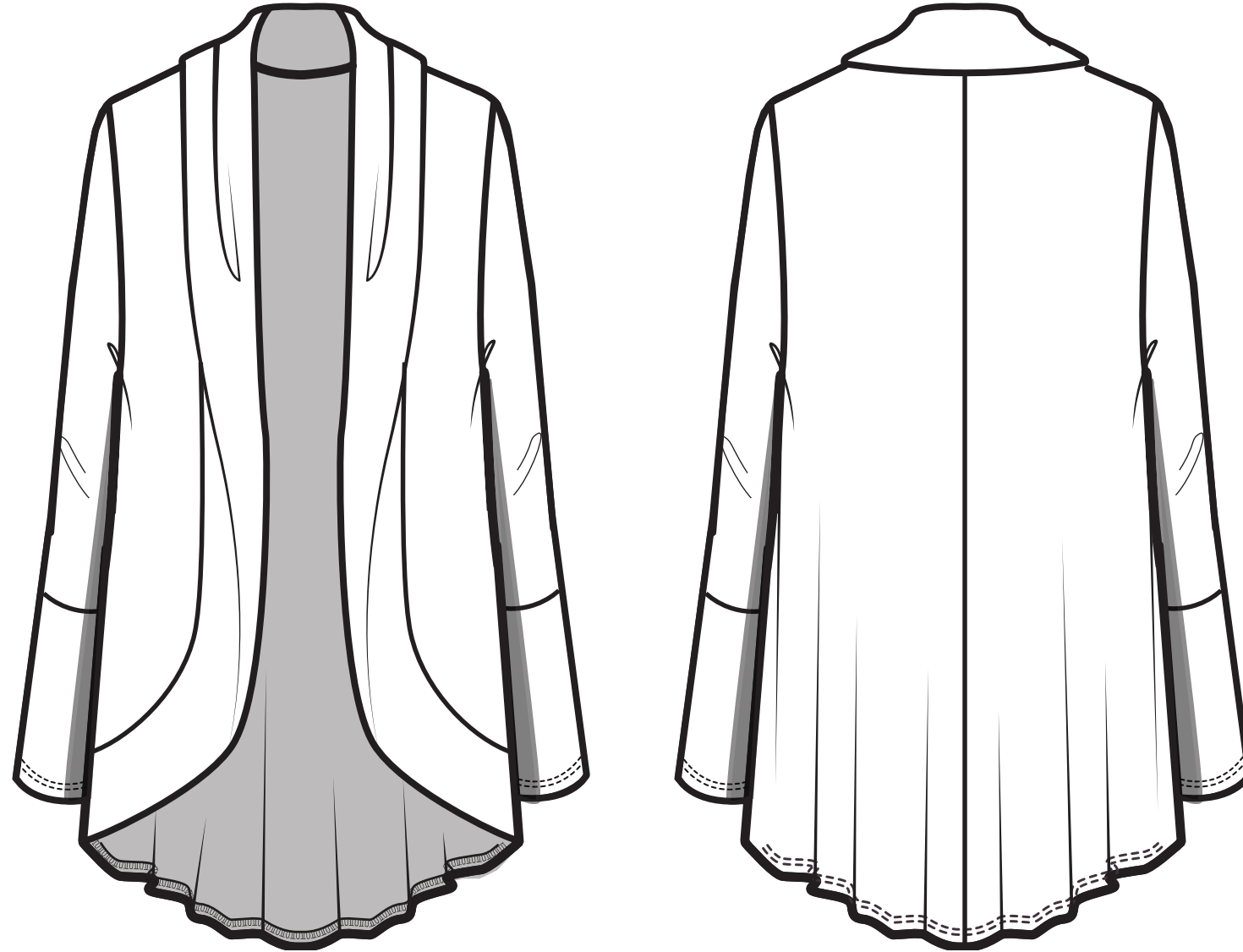
REF #: 2014643

LENGTH: High Hip

FABRICS: Knit Fabrics

DETAILS: Asym Wrap, Shoulder Buttons, TB Hem DNTS

CRESSA CARDIGAN



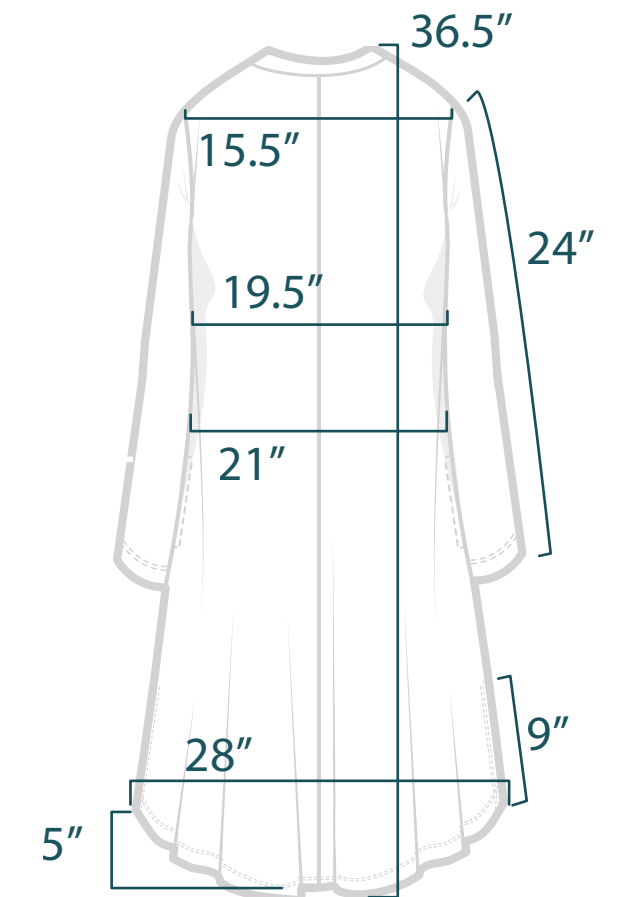
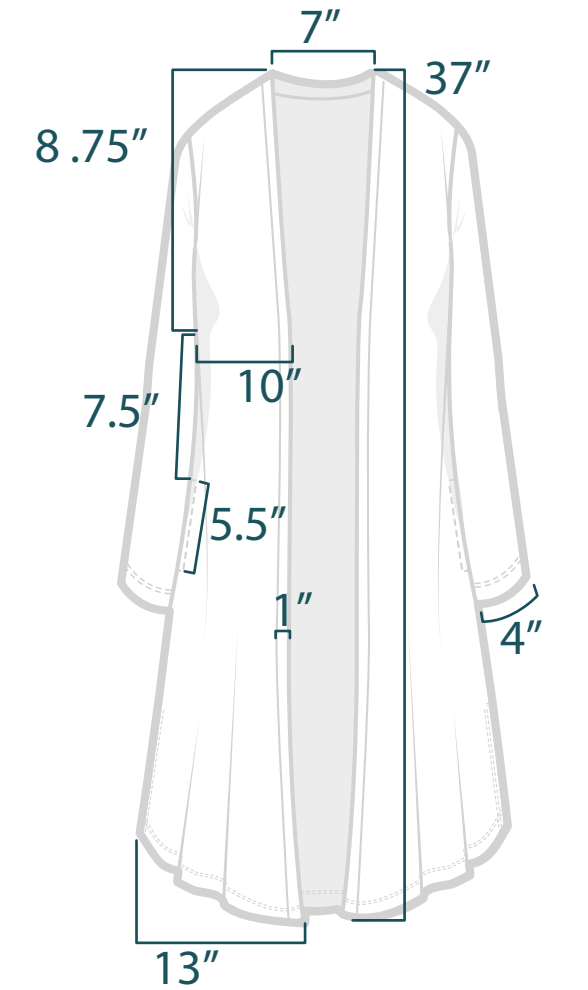
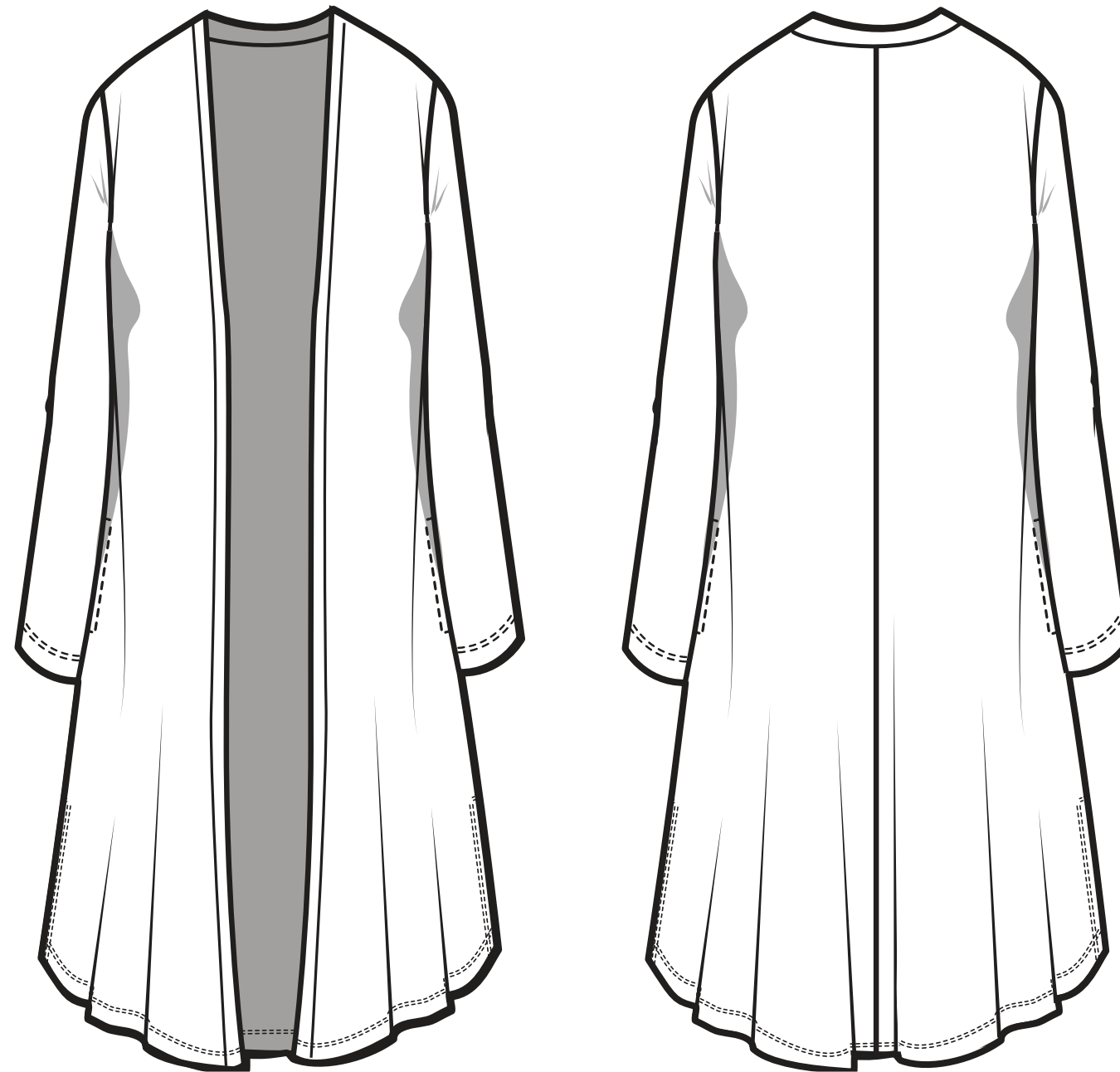
REF #: 2012389

LENGTH: Low Hip

FABRICS: Knit Fabrics

DETAILS: High Low Hem, Shawl Collar, DNTS TB Hem

DUSTER CARDIGAN



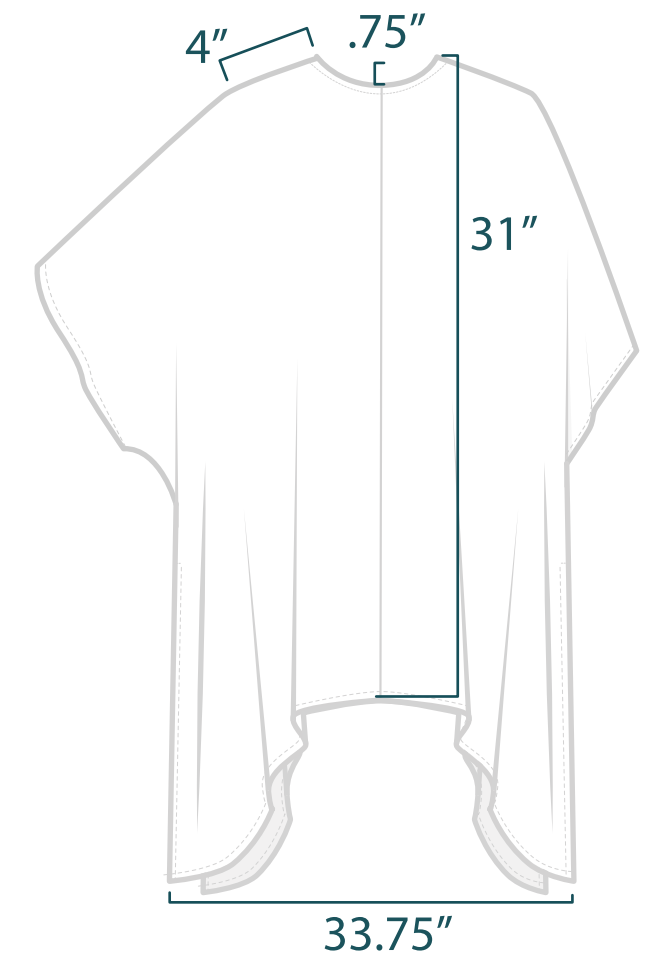
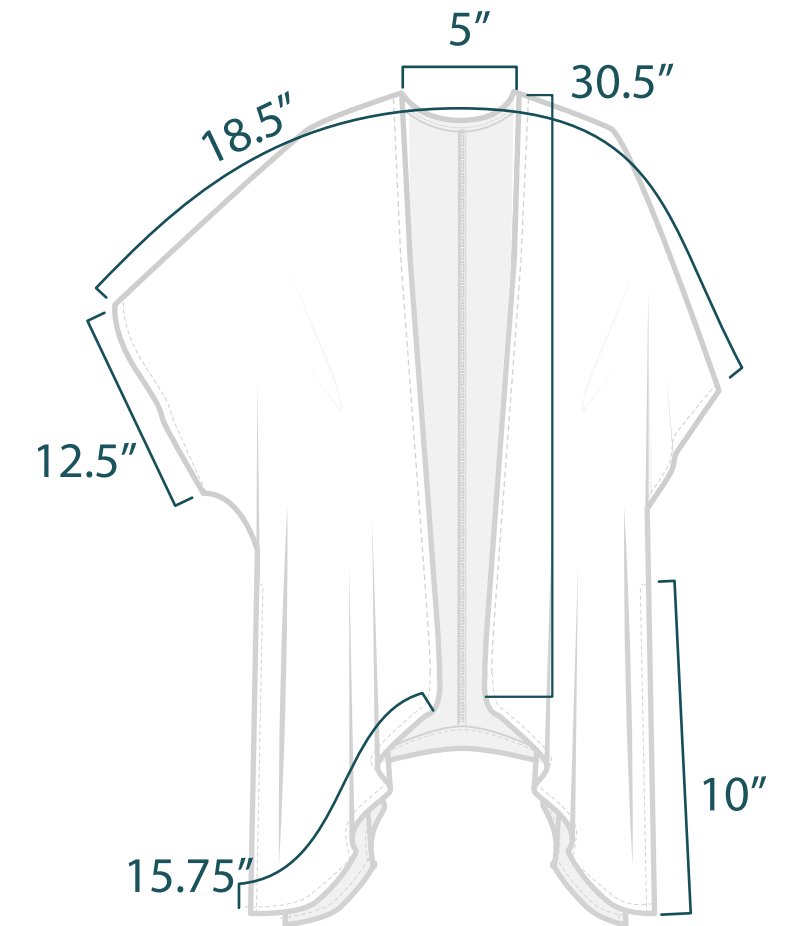
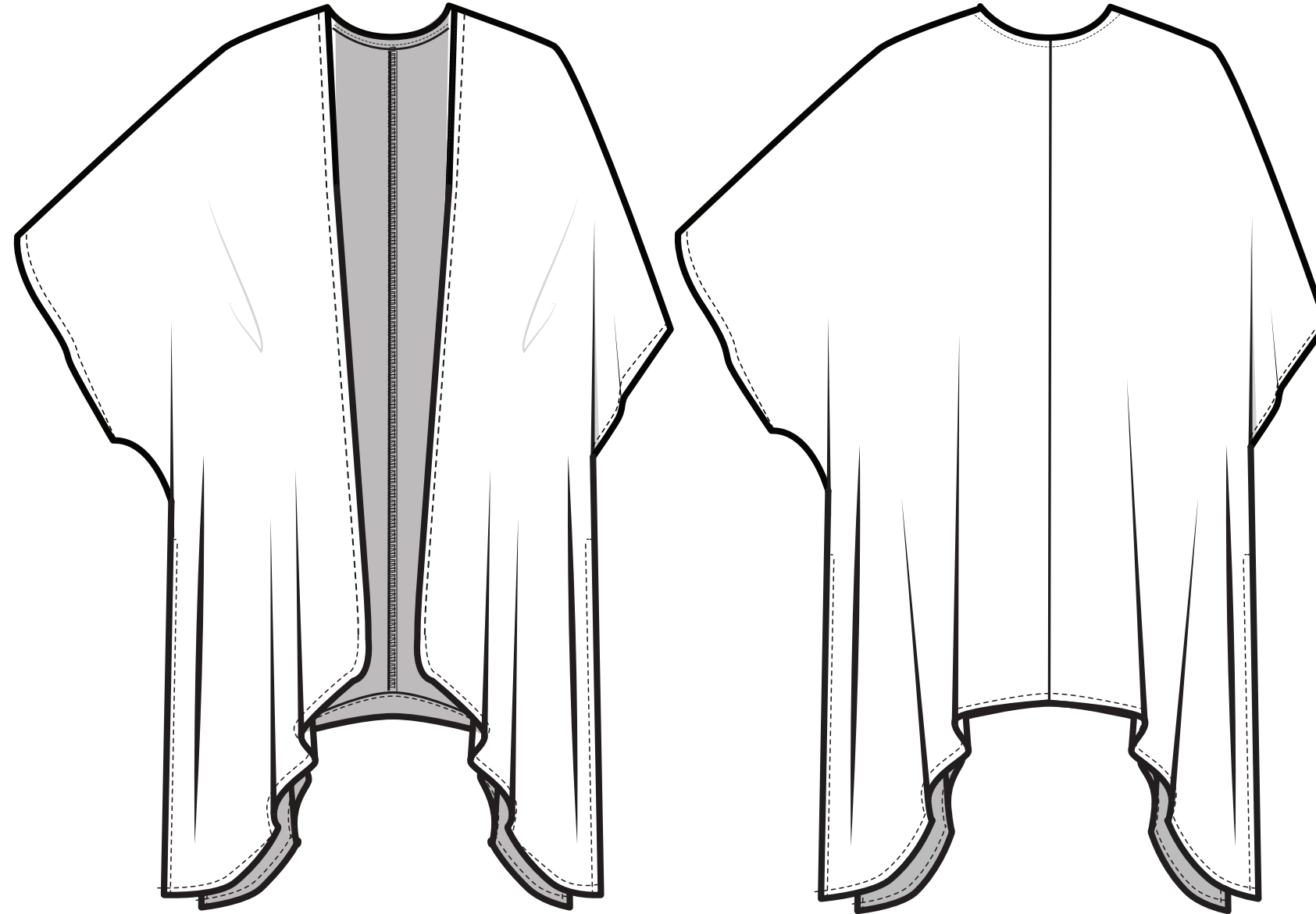
REF #: 2012871

LENGTH: Longline

FABRICS: Woven Fabrics, Knit Fabrics

DETAILS: 2 Ply CF Opening, On-Seam Pockets, TB Hem DNTS

CORE RUANA



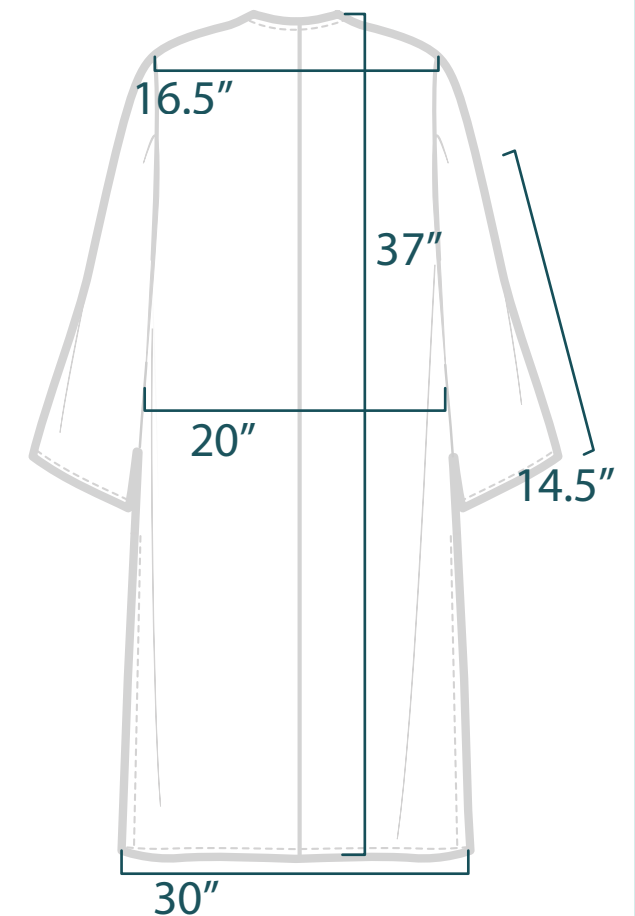
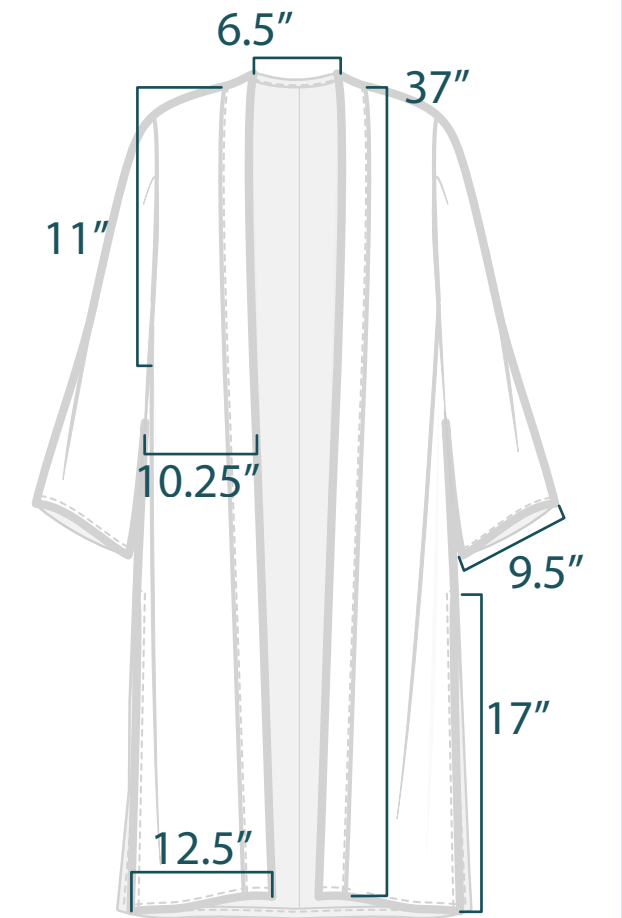
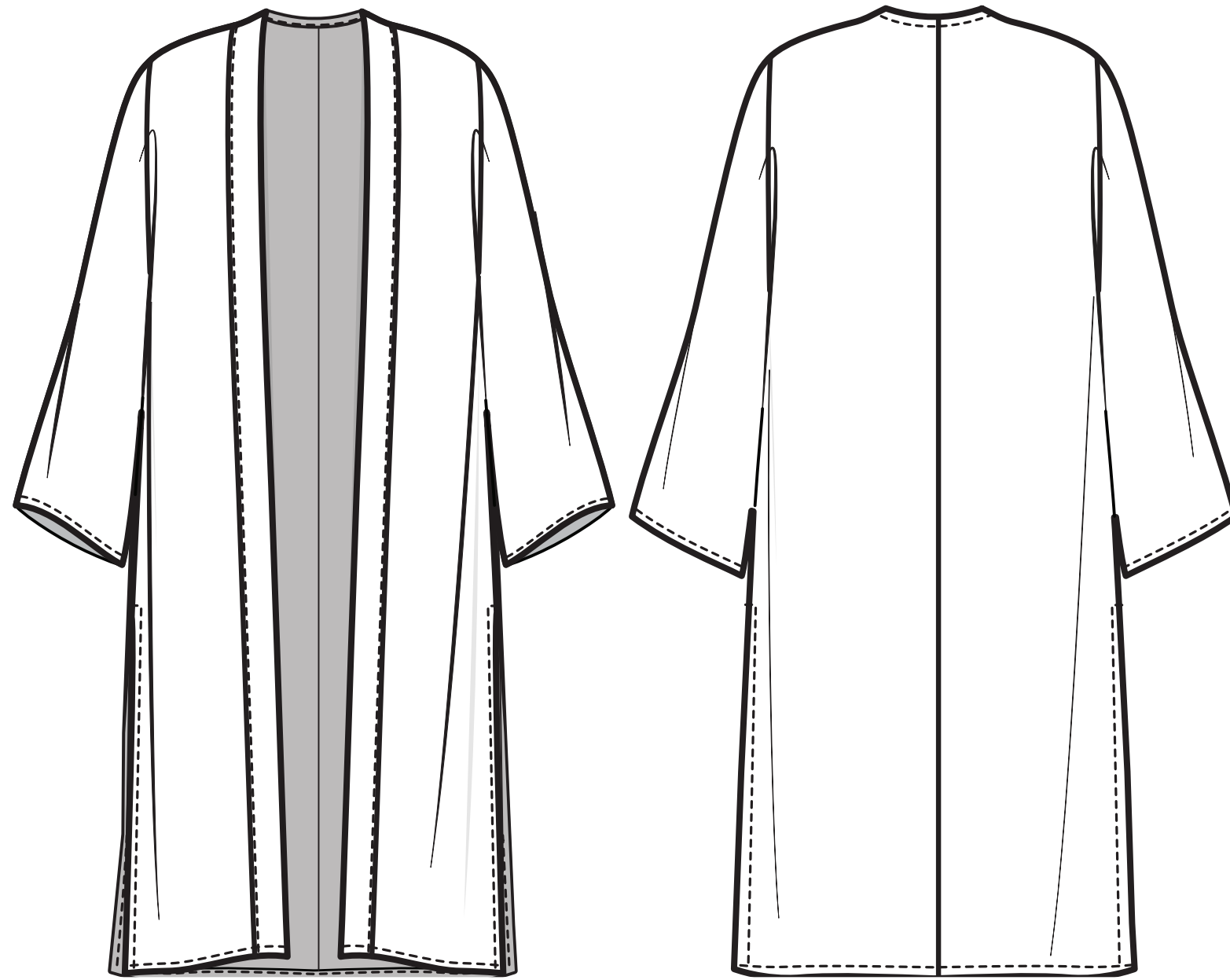
REF #: 2019068

LENGTH: Tunic

FABRICS: Woven Fabrics

DETAILS: Double TB Hem, Neck Binding, Side Slits, CB Seam, One Size

CORE DUSTER KIMONO



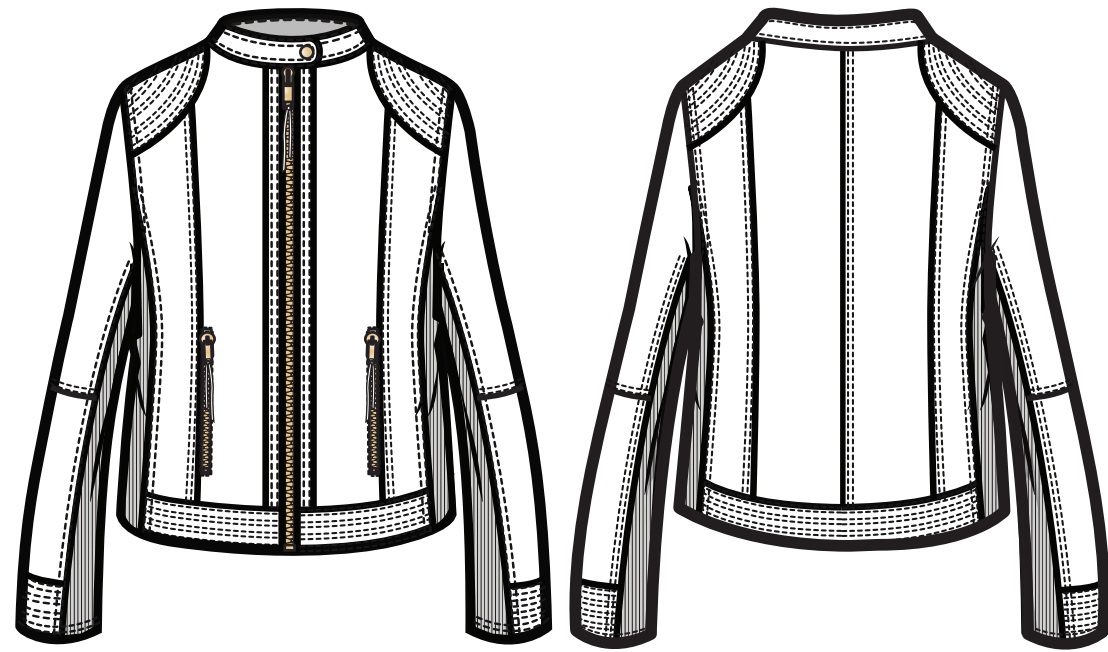
REF #: 2016764

LENGTH: Longline

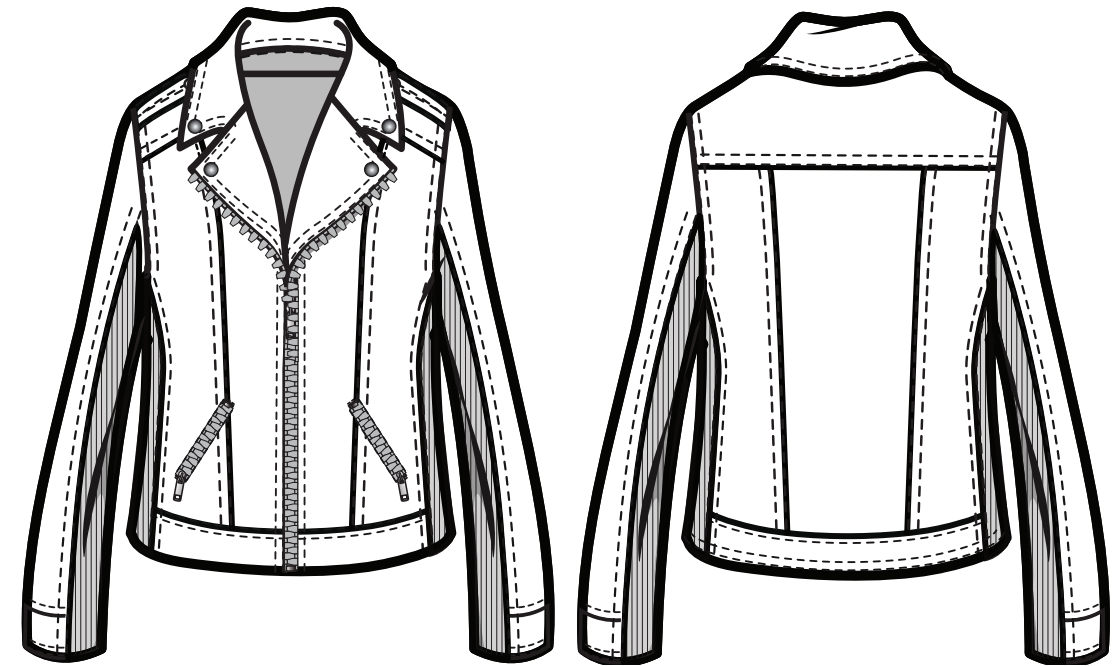
FABRICS: Woven Fabrics, Knit Fabrics

DETAILS: 2 Ply CF Opening, Drop Shoulder, Alpha Size

400 PU JACKETS

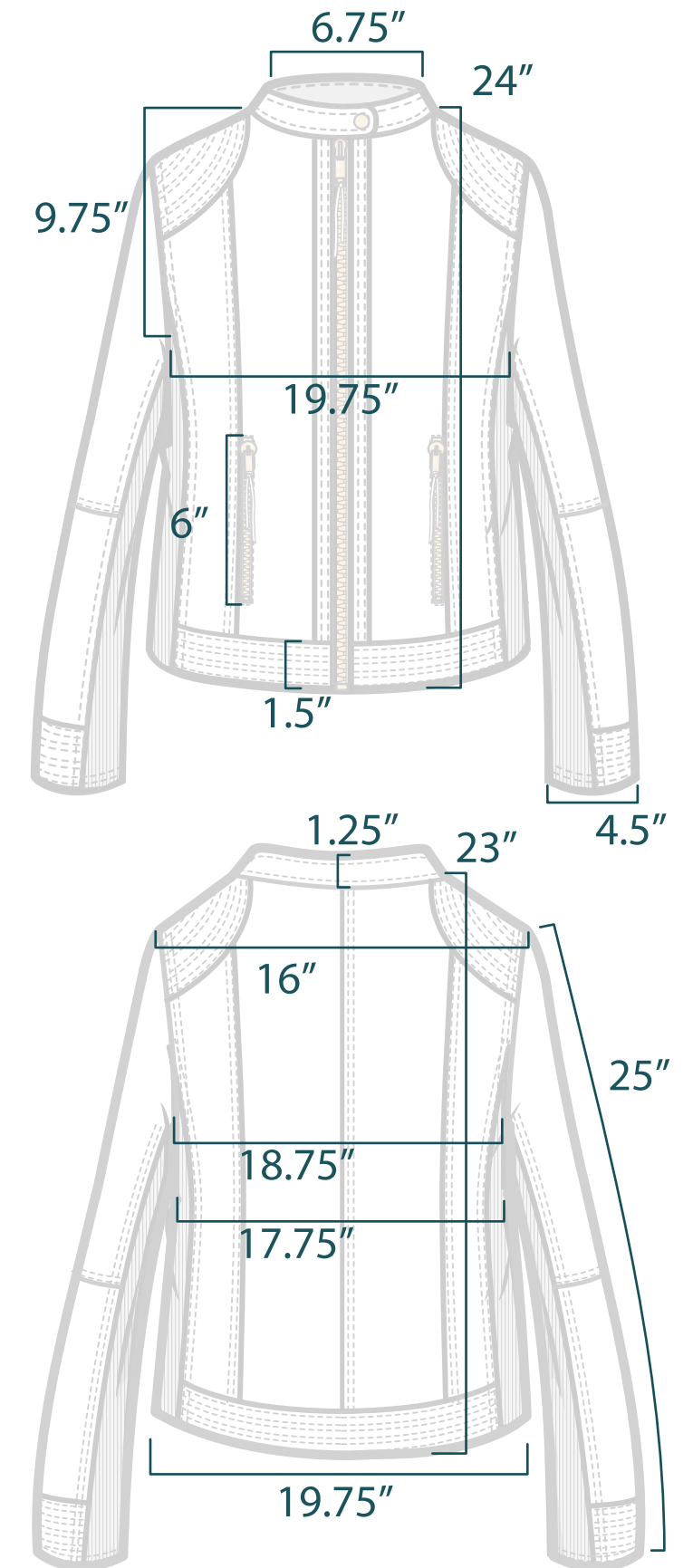
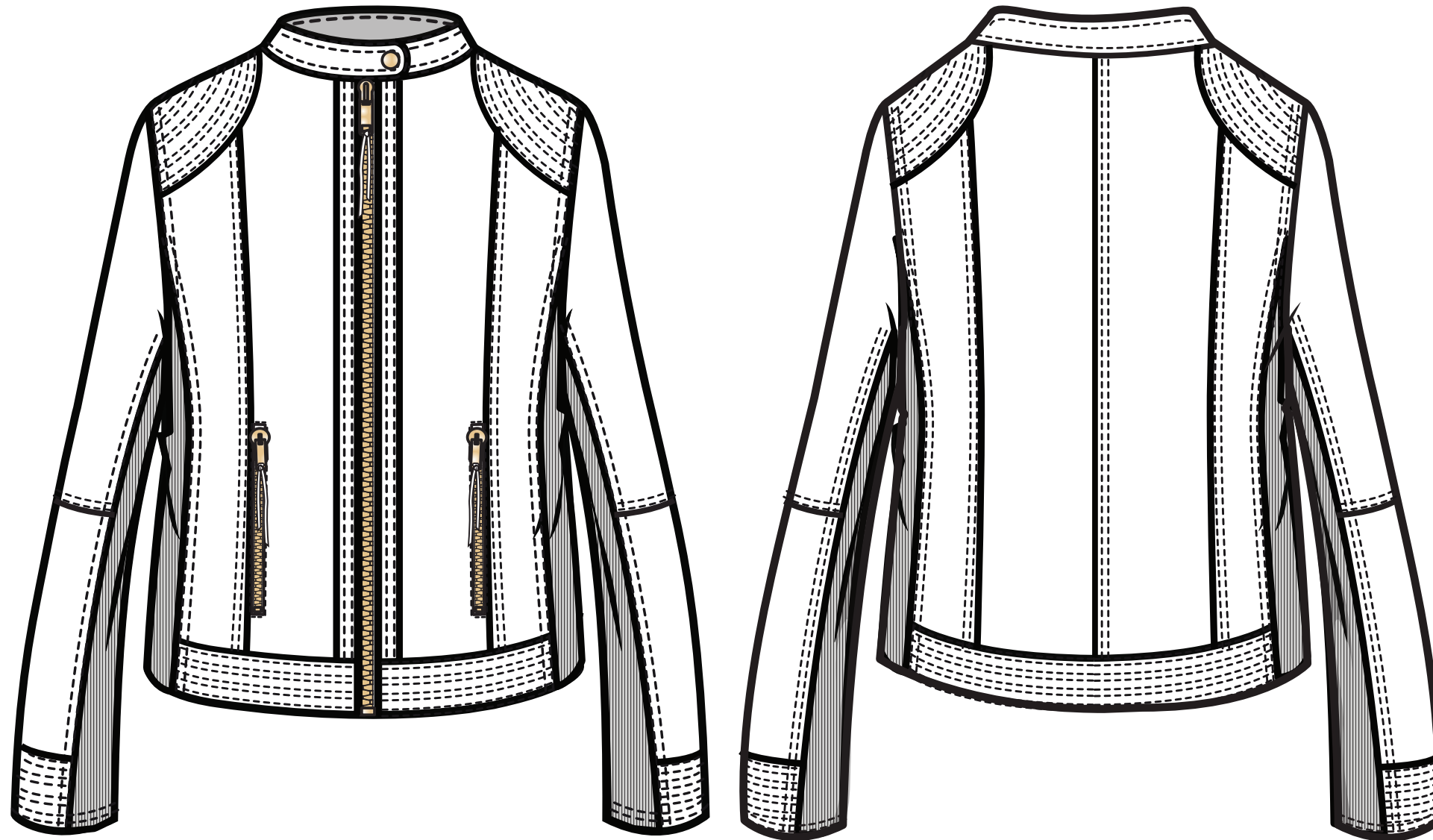


PU JACKET



CF ZIP MOTO JACKET

CORE PU JACKET



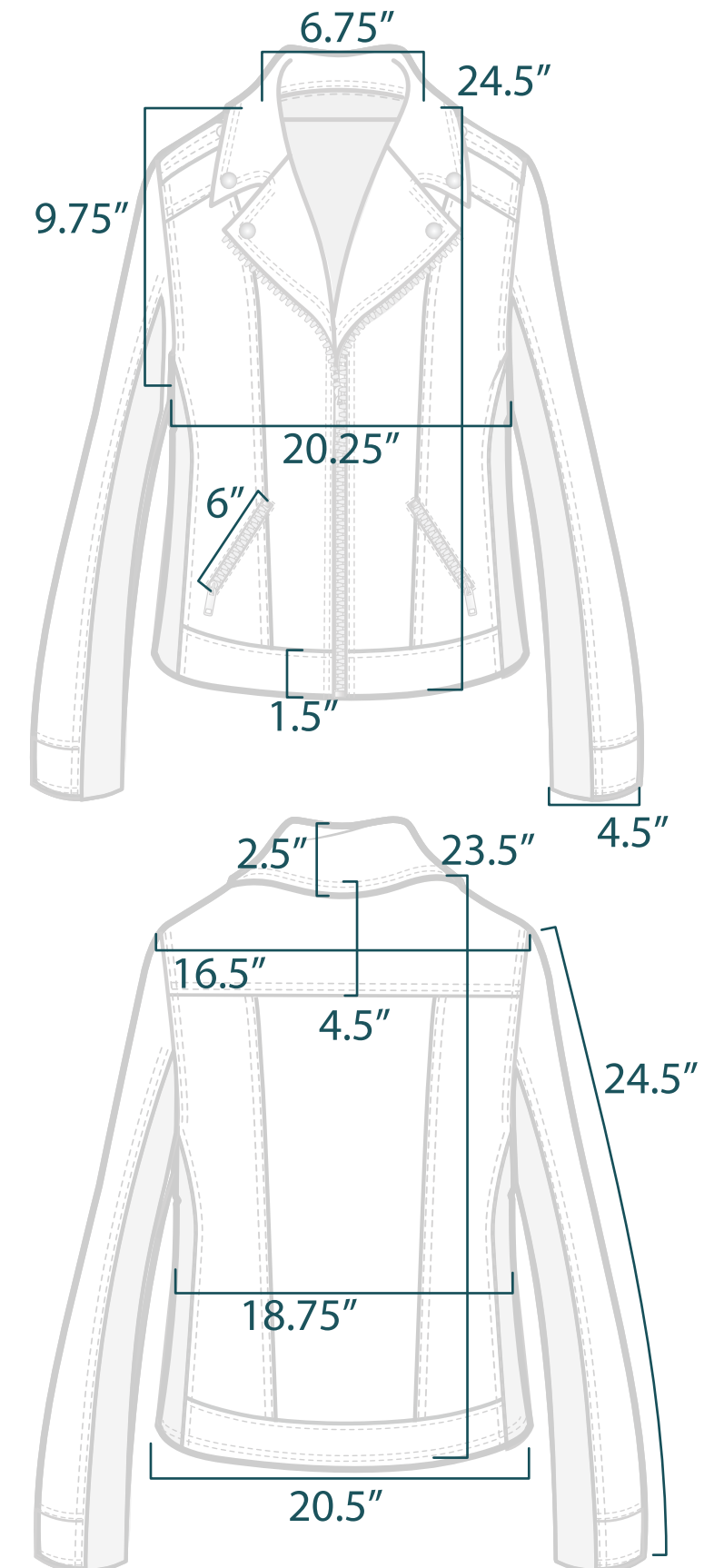
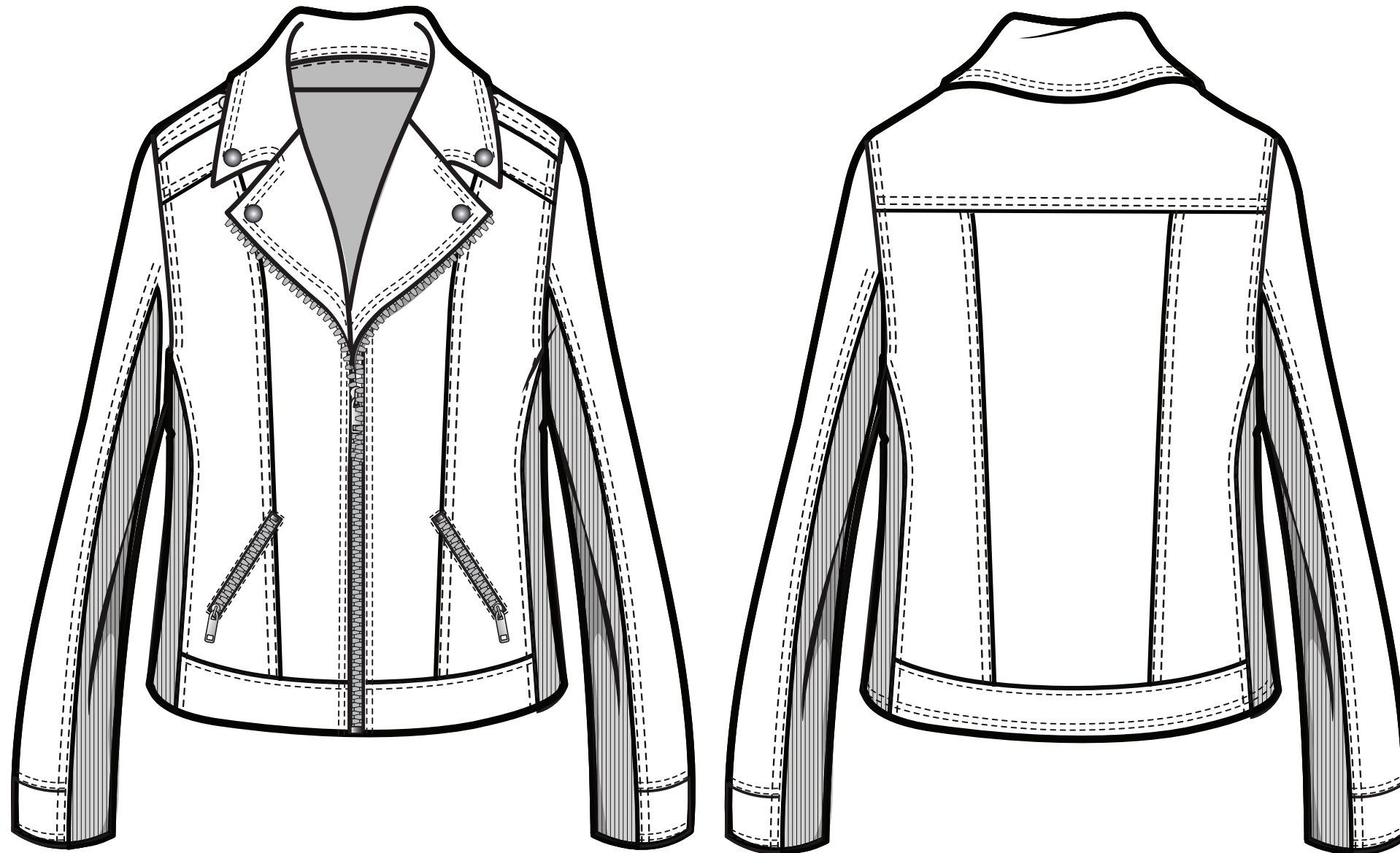
REF #: 2019529

LENGTH: High Hip

FABRICS: PU Leather, Knit Insert Panels [Fully Lined Body]

DETAILS: CF Zipper, Yokes, Func Zip Pockets, Side Panels, Snaps

CF ZIPPER MOTO JACKET



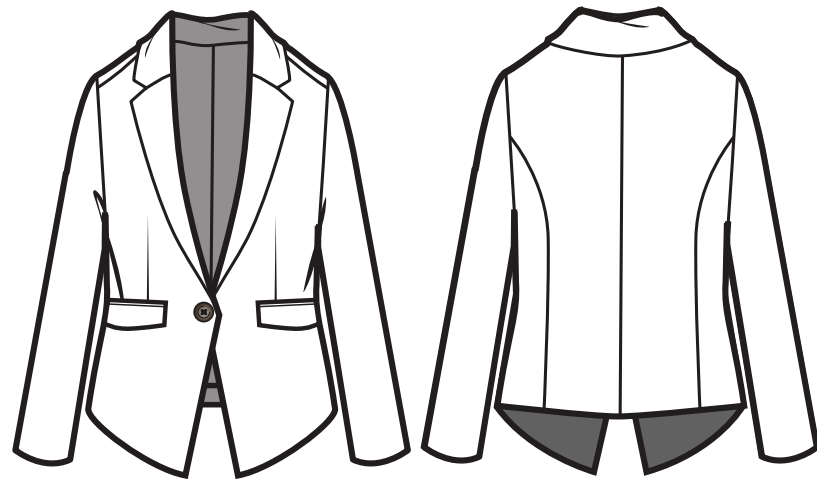
REF #: 2016029

LENGTH: High Hip

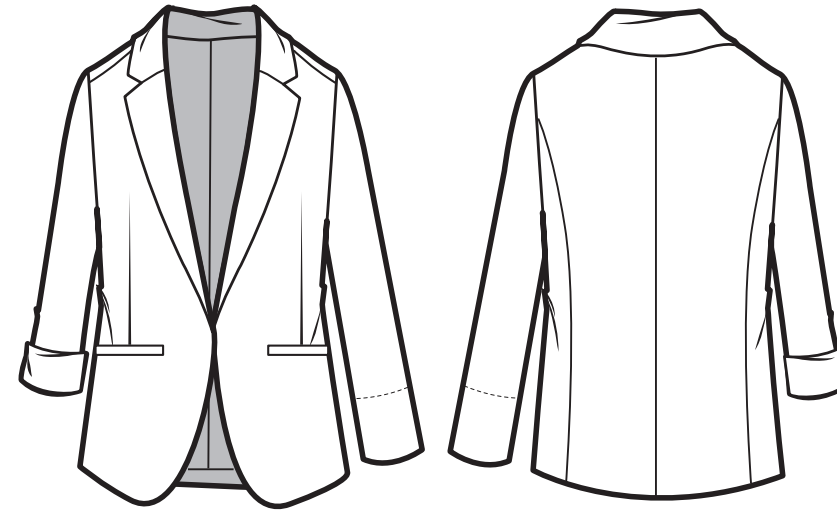
FABRICS: PU Leather, Knit Insert Panels [Fully Lined Body]

DETAILS: CF Zipper, Yokes, Func Zip Pockets, Side Panels, Snaps

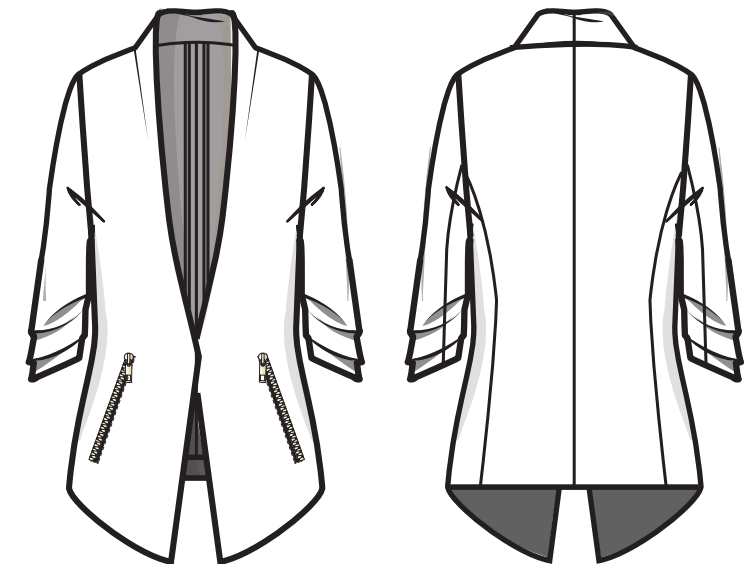
500 BLAZERS



SHORTIE



VERSA



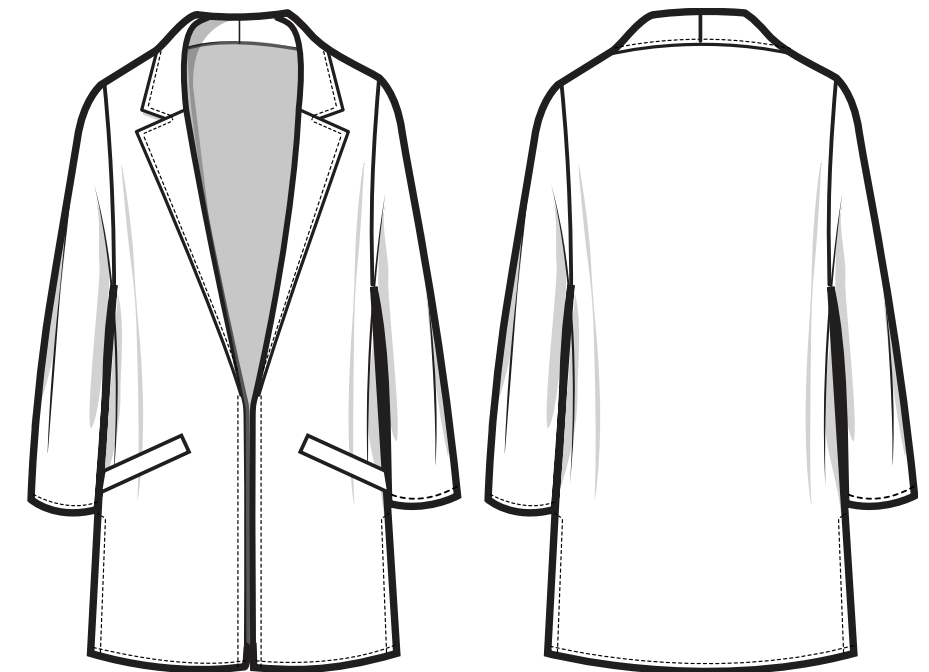
EVER-GO



PREMIA

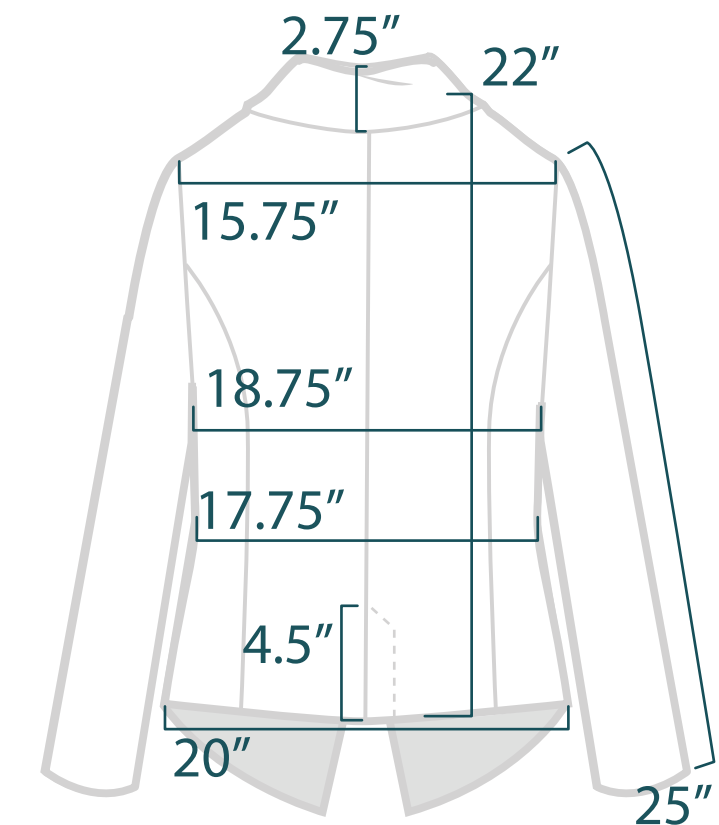
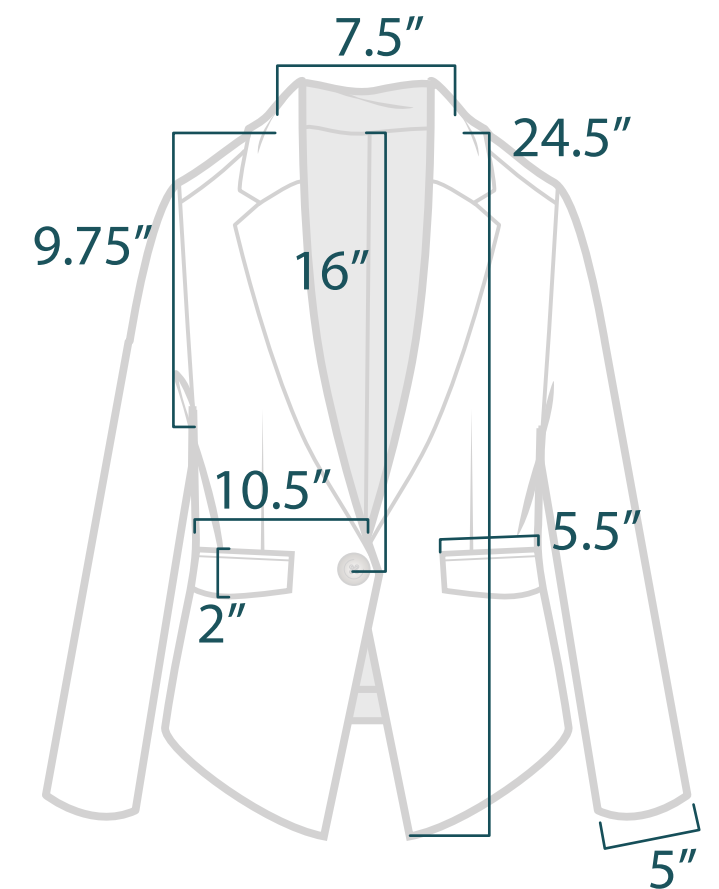
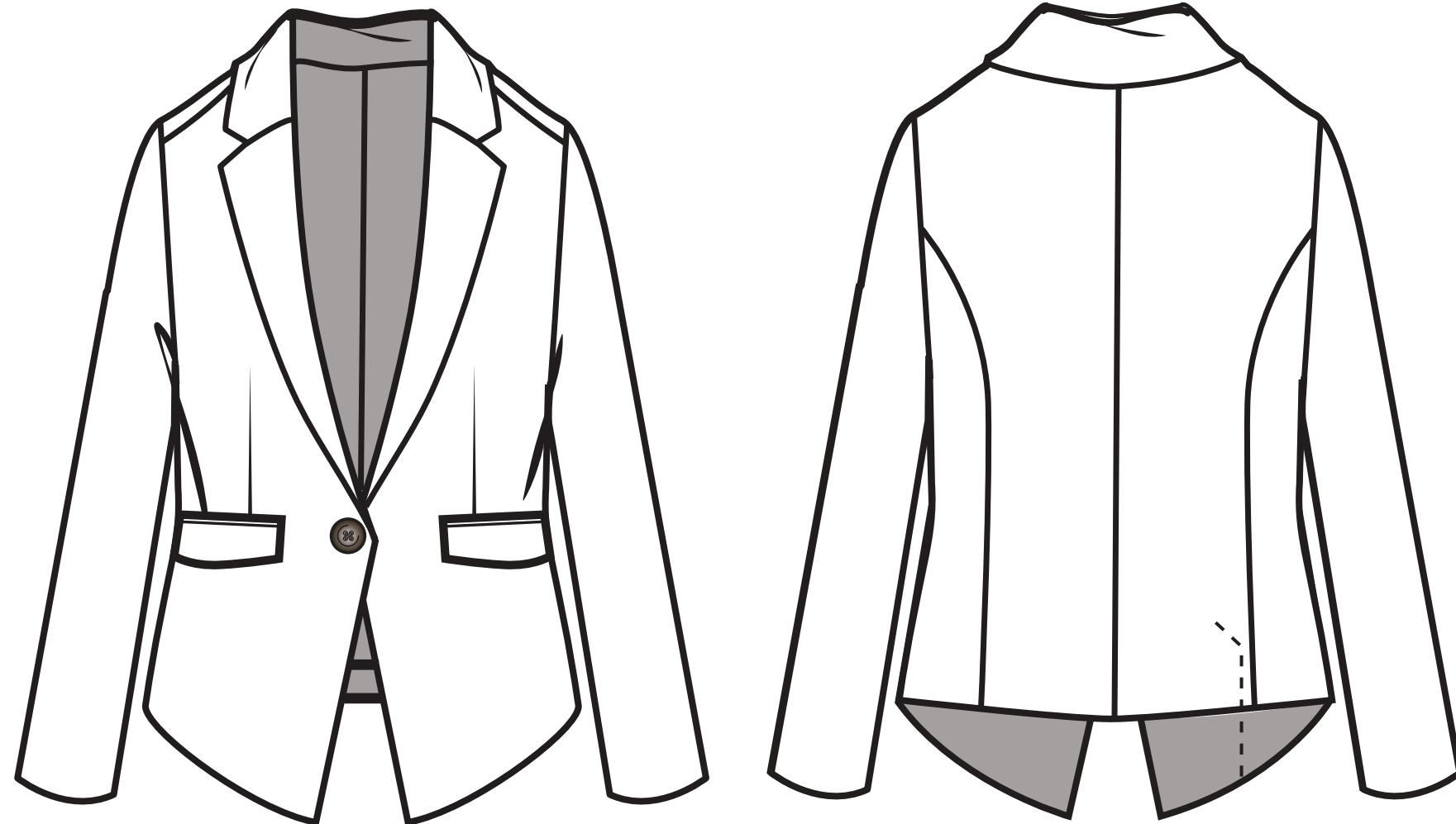


BOYFRIEND



LONGLINE

THE SHORTIE/CROPPED BLAZER



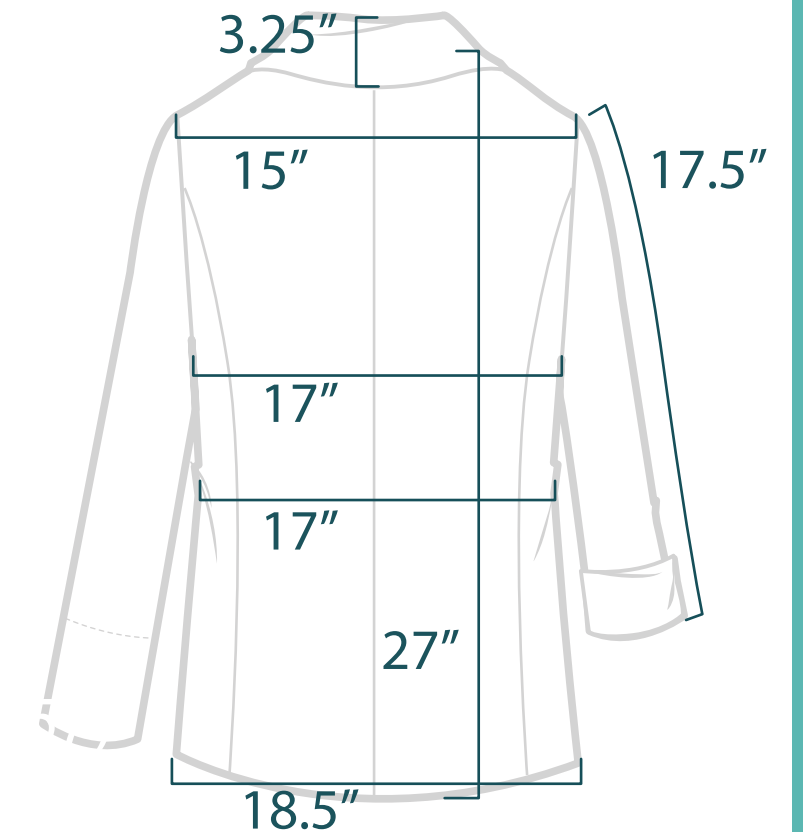
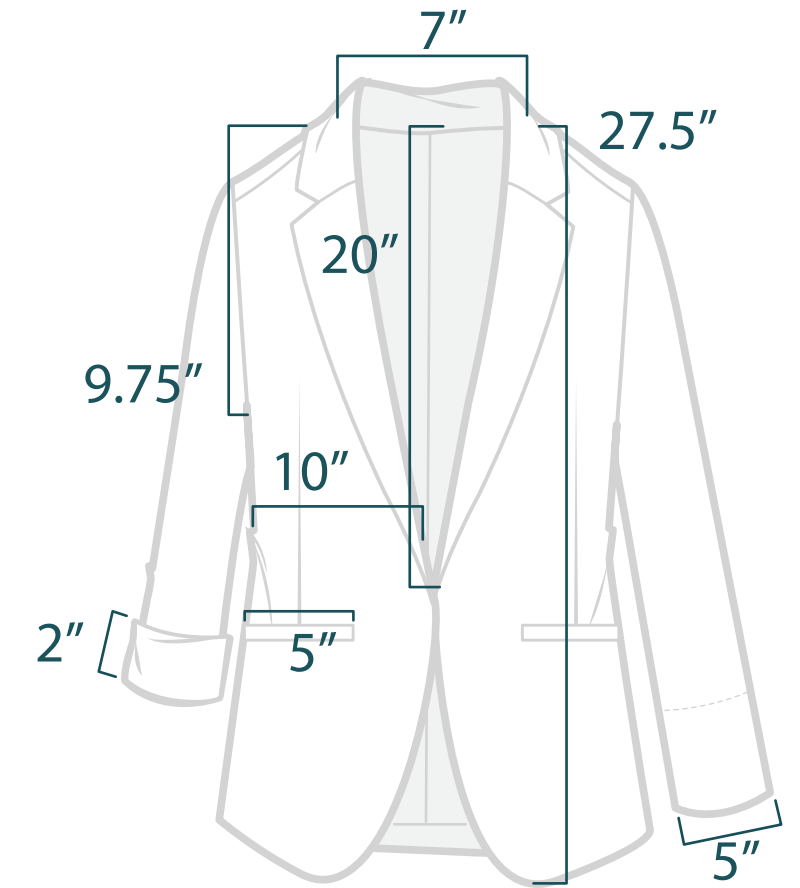
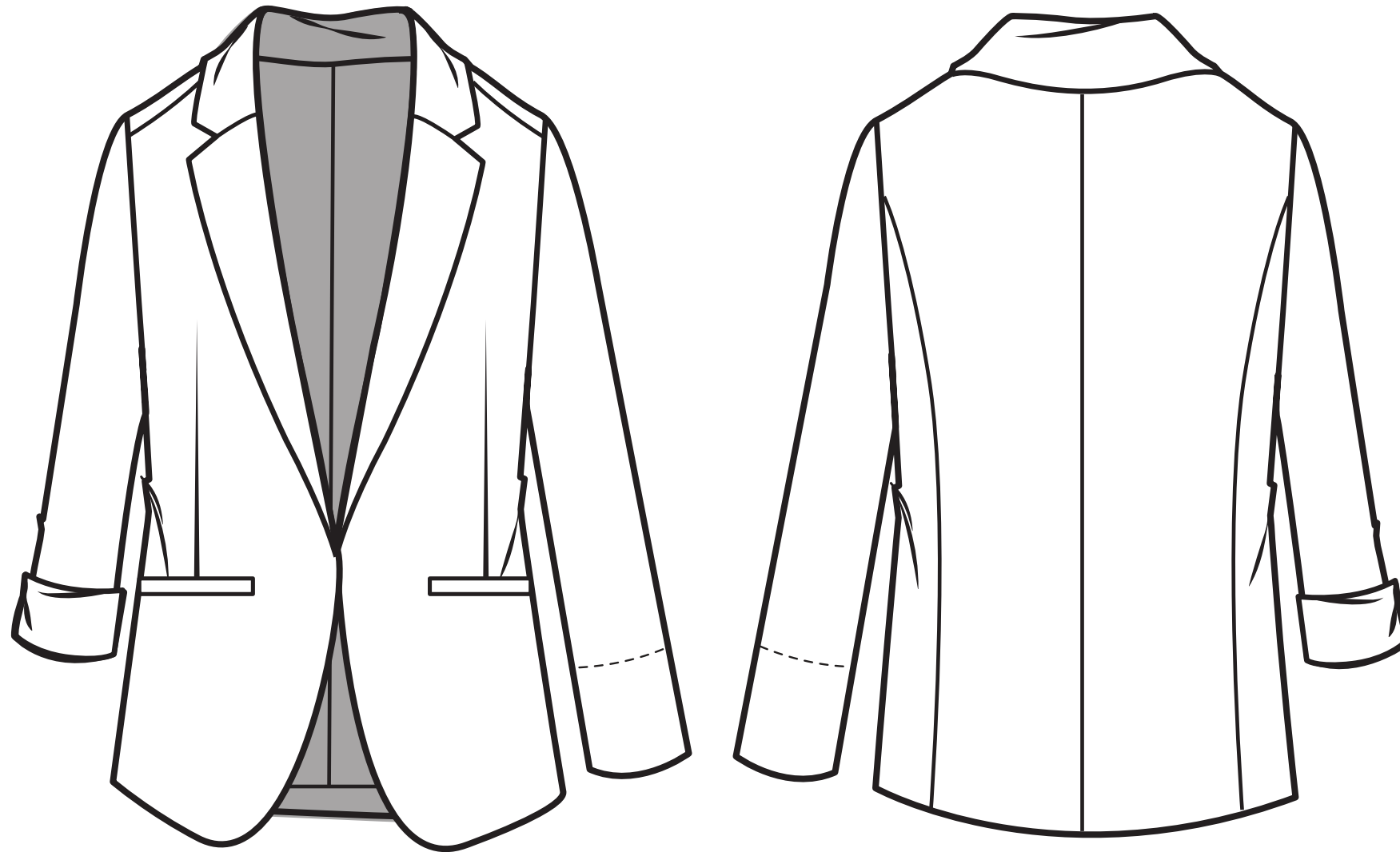
REF #: 2016695

LENGTH: Shortie

FABRICS: Woven Shell + Woven Lining Fabrics [Fully Lined Body]

DETAILS: CF Button, Functional Pockets, Darts, Light Shoulder Pads, CB Vent

THE VERSA BLAZER



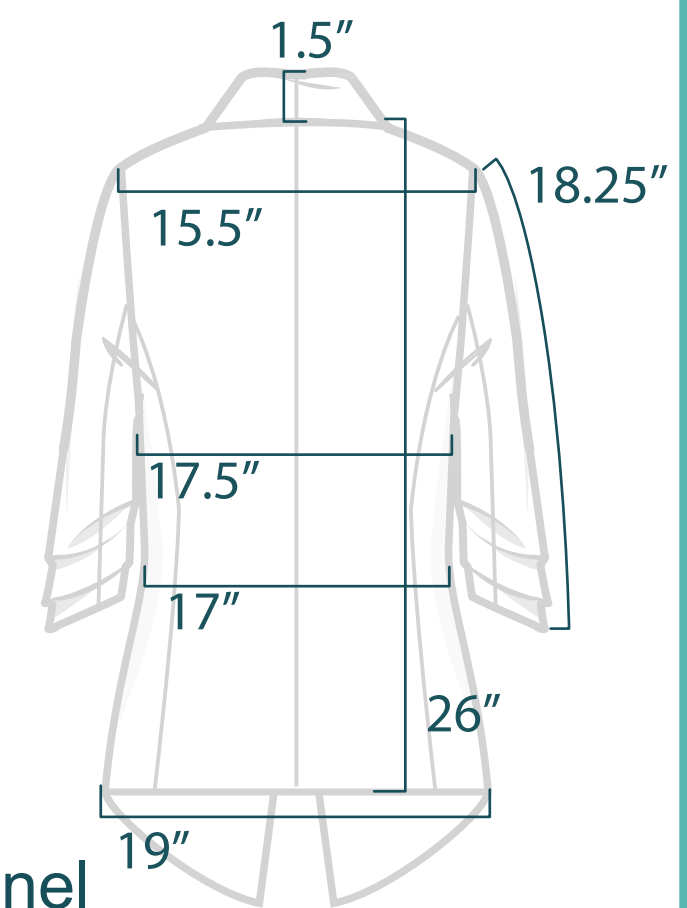
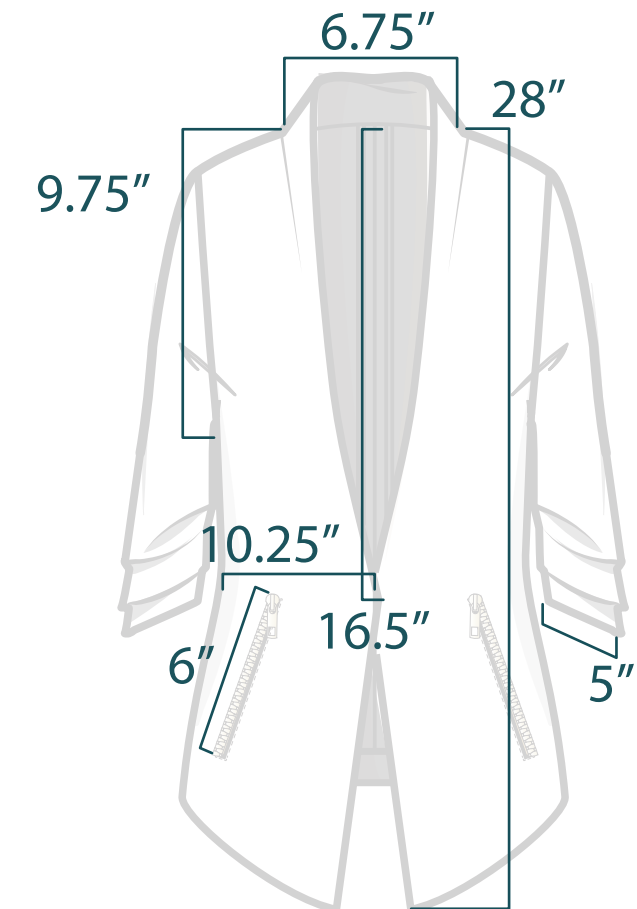
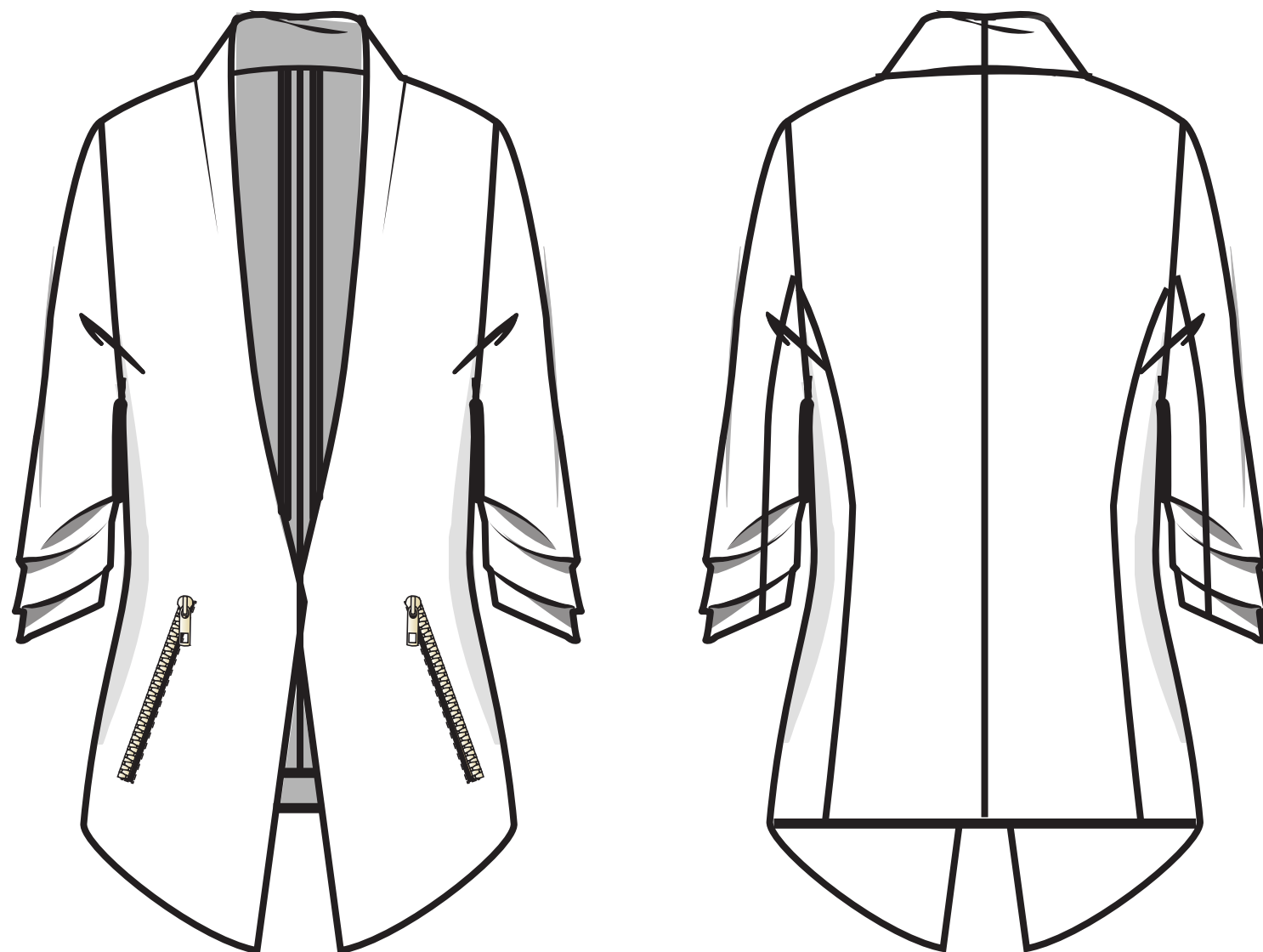
REF #: 2010318

LENGTH: Low Hip

FABRICS: Knit Fabrics [Unlined Body]

DETAILS: Open CF, Faux Pockets, Cuff Slv, Waist Darts

THE EVER-GO BLAZER



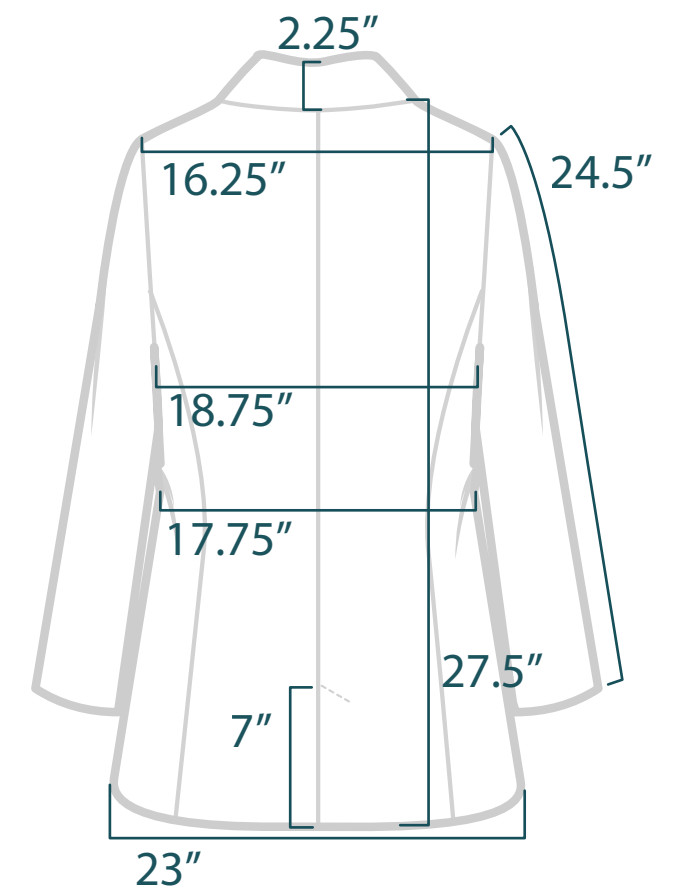
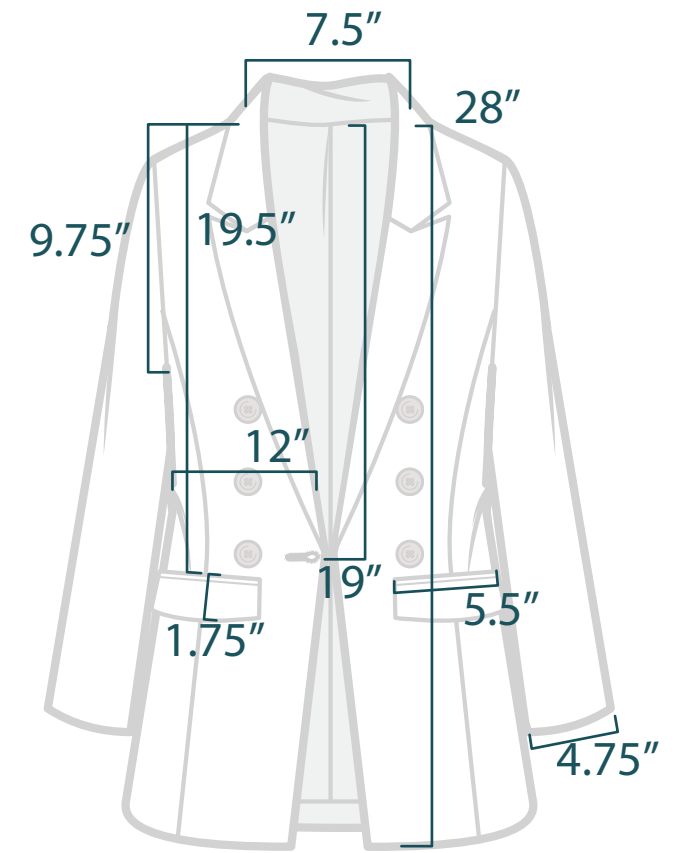
REF #: 2010535

LENGTH: Low Hip

FABRICS: Woven Fabrics, Knit Fabrics [Unlined Body]

DETAILS: Open CF, Faux Zips, Pleated Slv, Busted CB, Fully Faced Front Panel

THE PREMIA BLAZER



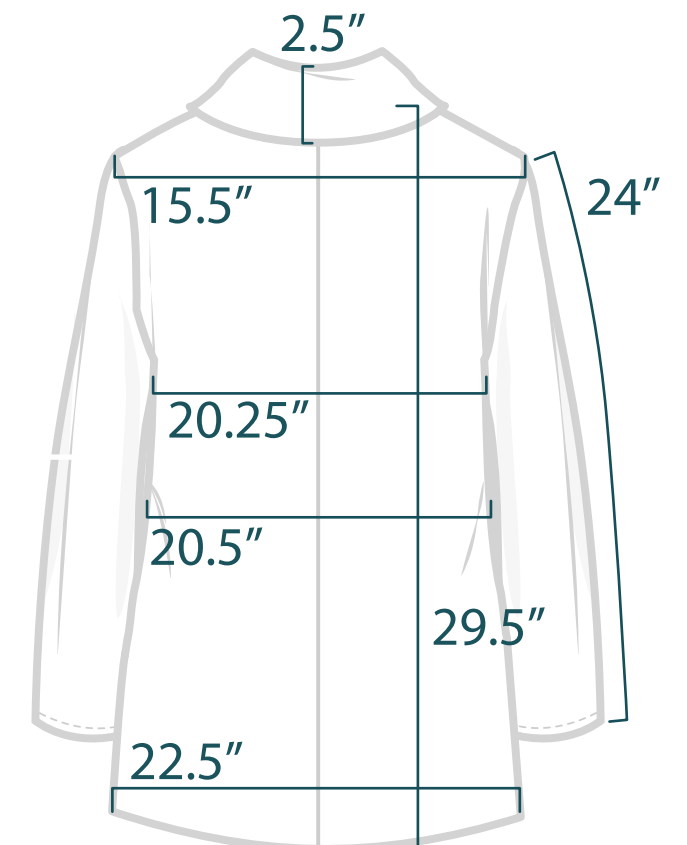
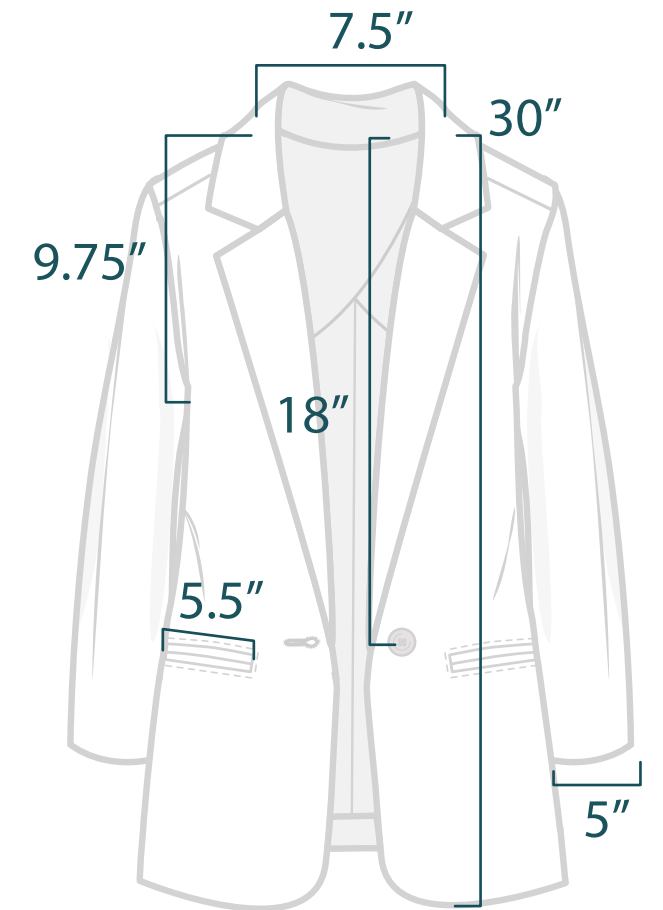
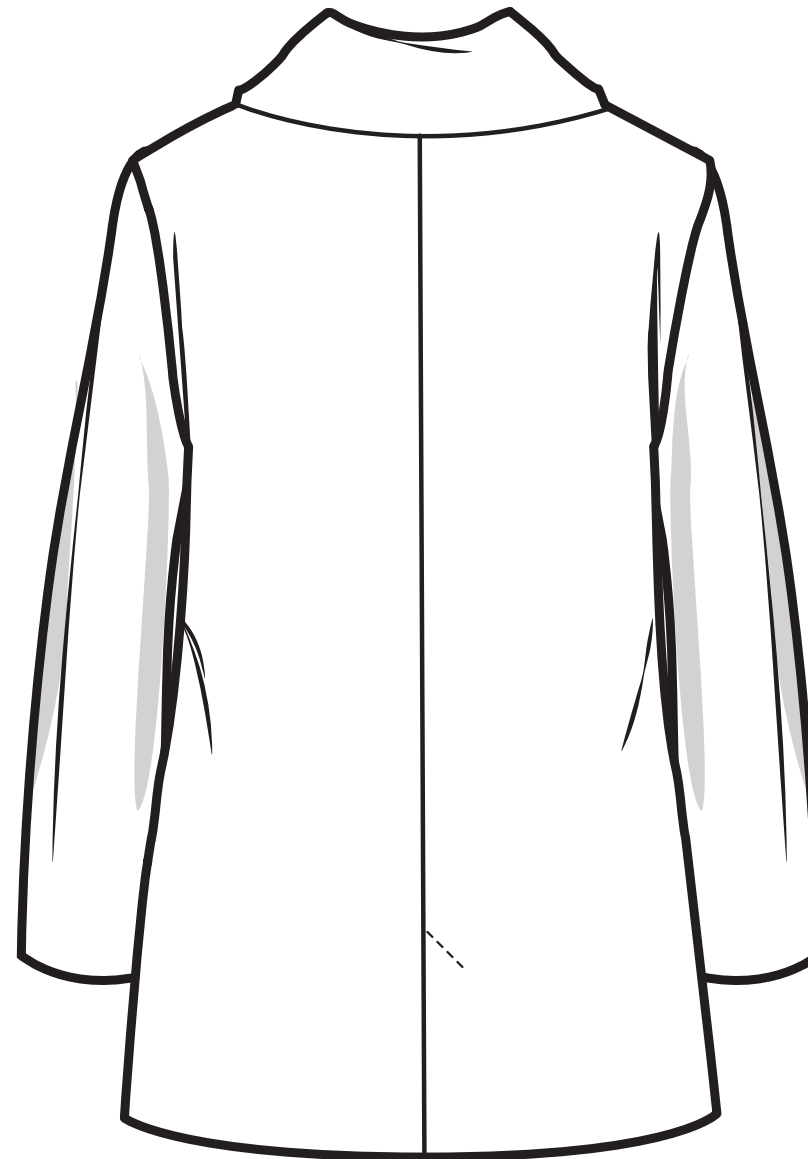
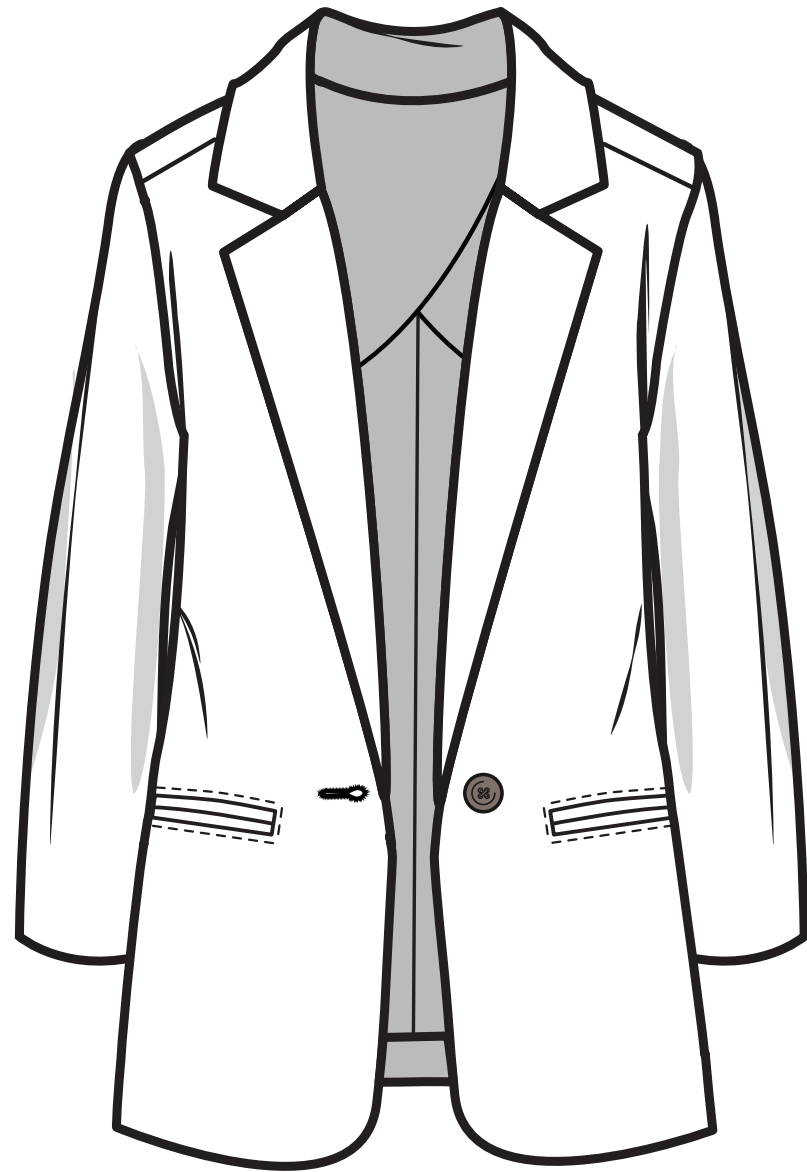
REF #: 2019422, 2015070

LENGTH: Low Hip

FABRICS: Woven Shell + Woven Lining [Fully Lined Body]

DETAILS: CF Double Breasted Buttons, Functional Pockets, Princess Seams, Sholuder Pads, CB Vent

THE BOYFRIEND BLAZER



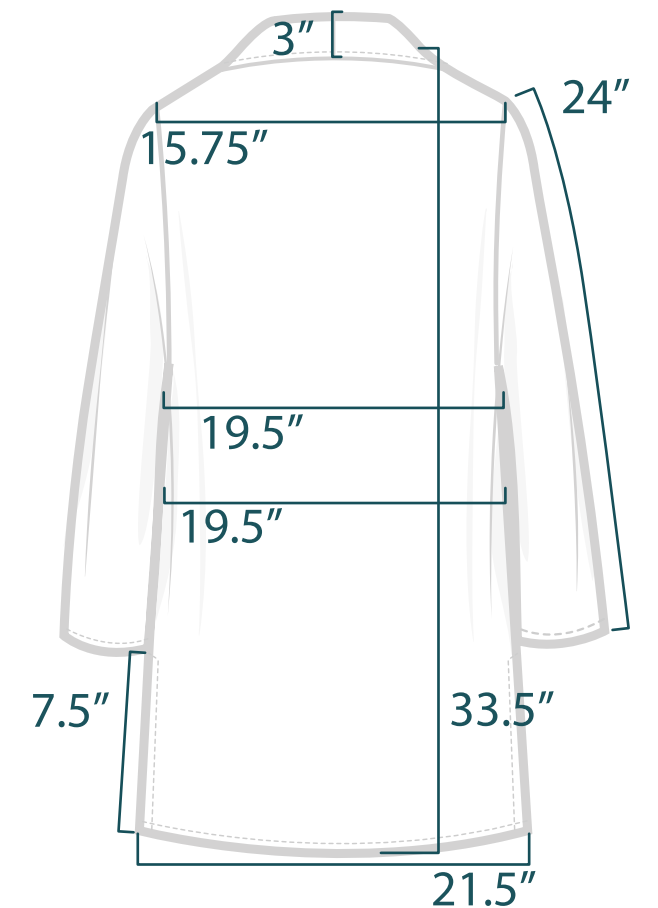
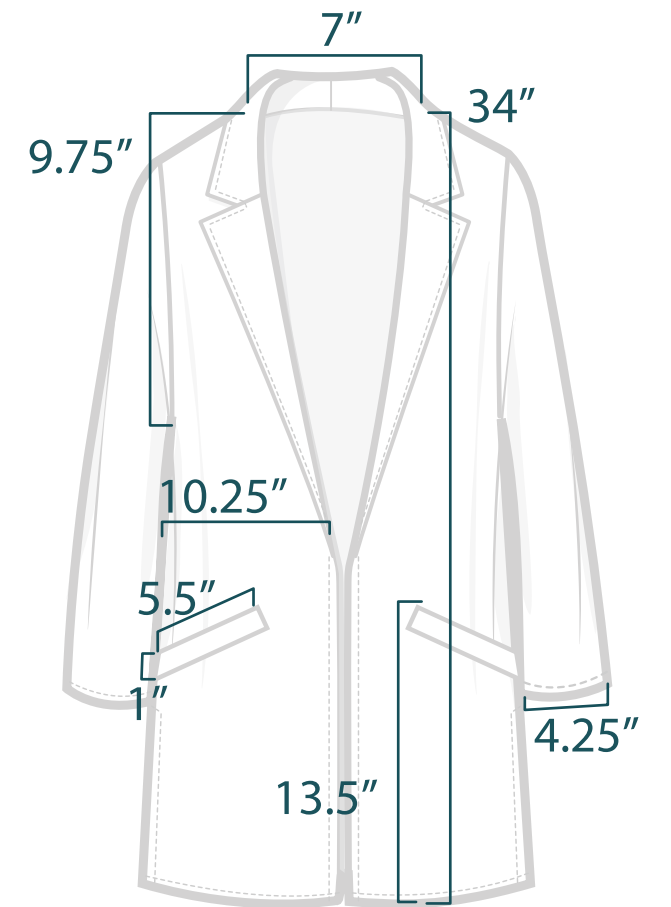
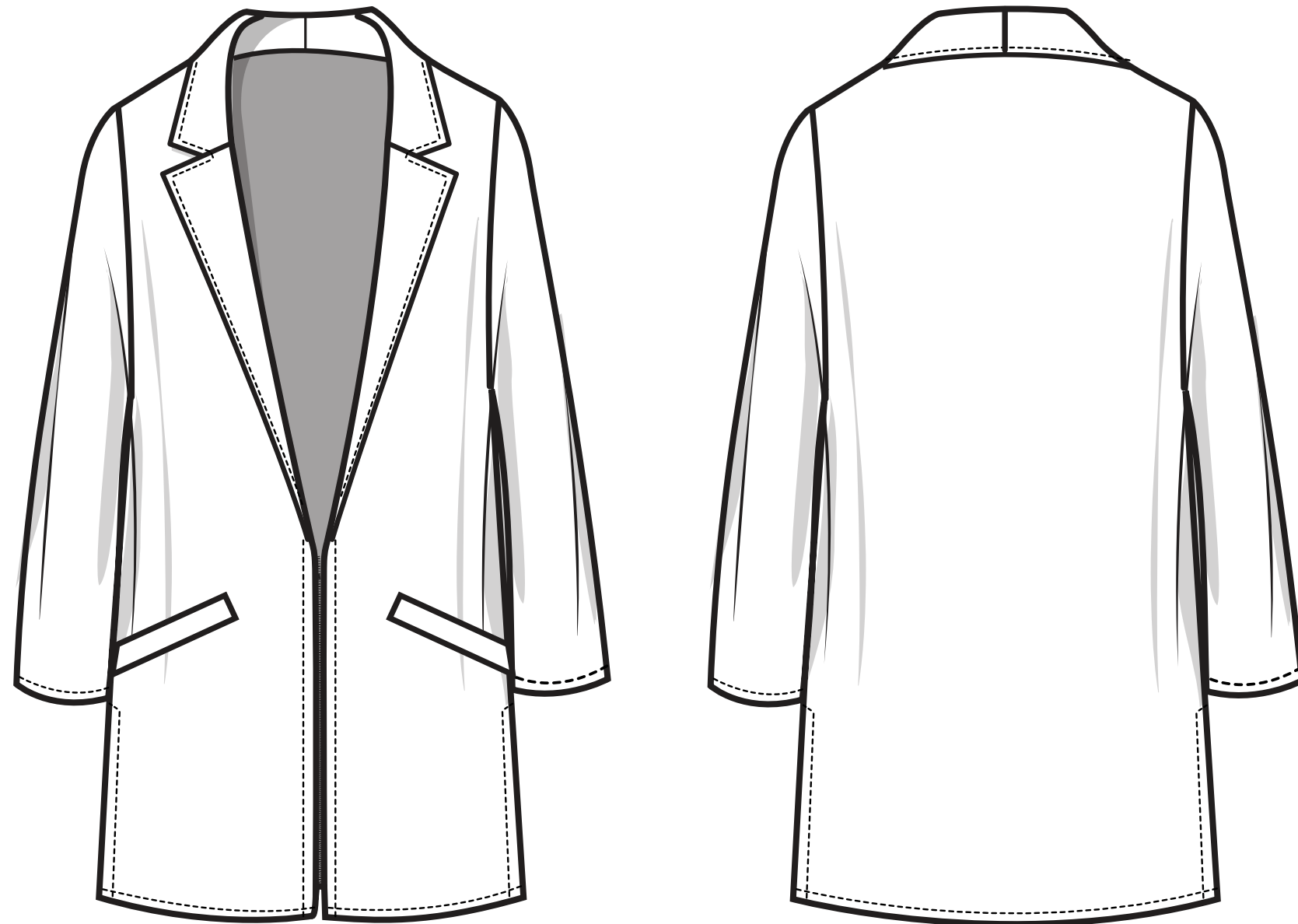
REF #: 2016511

LENGTH: Tunic

FABRICS: Knit Fabrics [Unlined Body]

DETAILS: CF Double Breasted Buttons, Functional Pockets, CB Seam Bias Binding

THE LONGLINE BLAZER



REF #: 2017535, 2017318

LENGTH: Classic

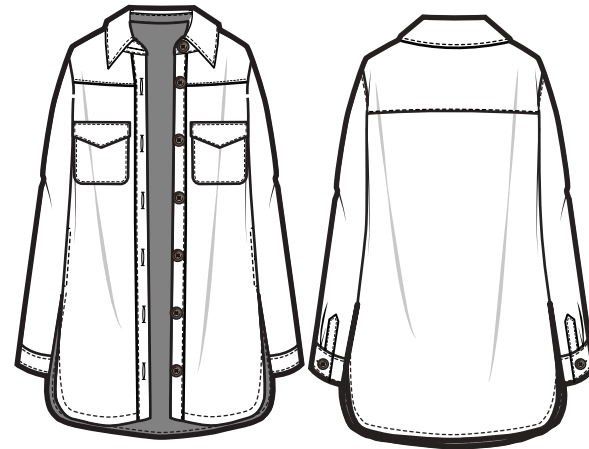
FABRICS: Knit Fabrics [Unlined Body]

DETAILS: Open CF, Functional Pockets, Side Slits

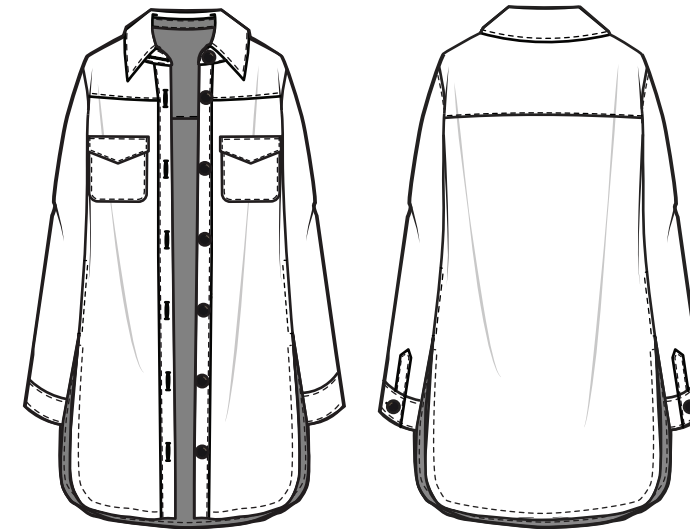
600 JACKETS



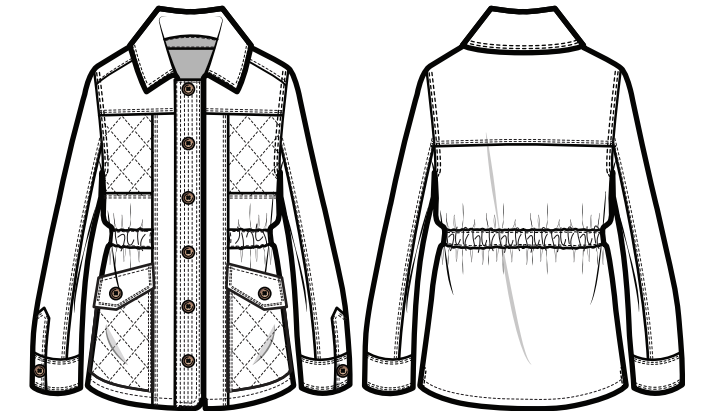
SHORTIE SHORELINE SHACKET



CLASSIC SHACKET



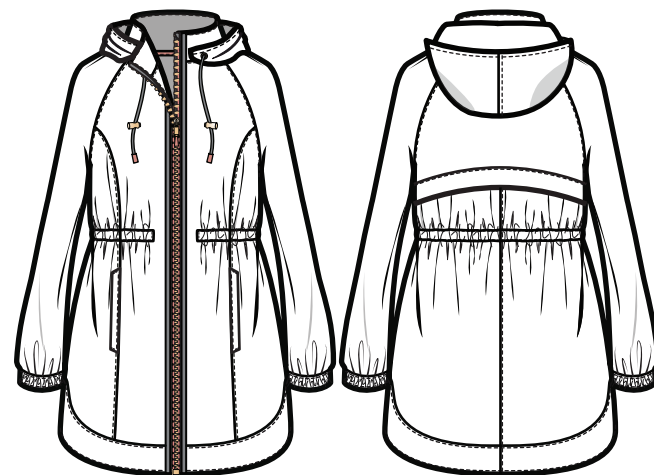
THE LONGLINE SHACKET



UTILITY TWILL JACKET



ALL ADVENTURE JACKET



UPTRAIL JACKET

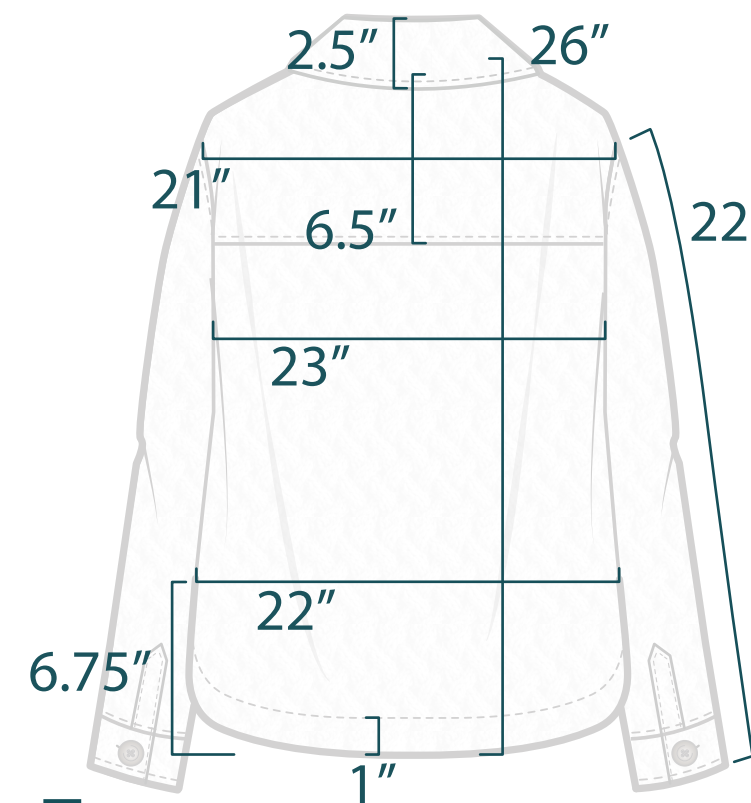
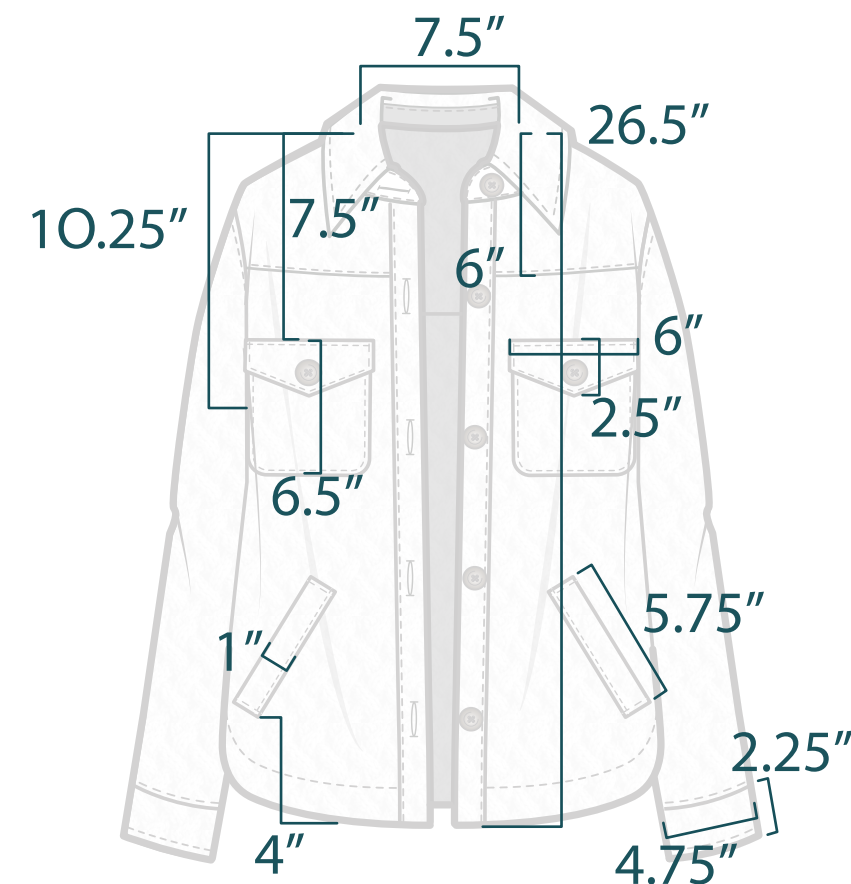
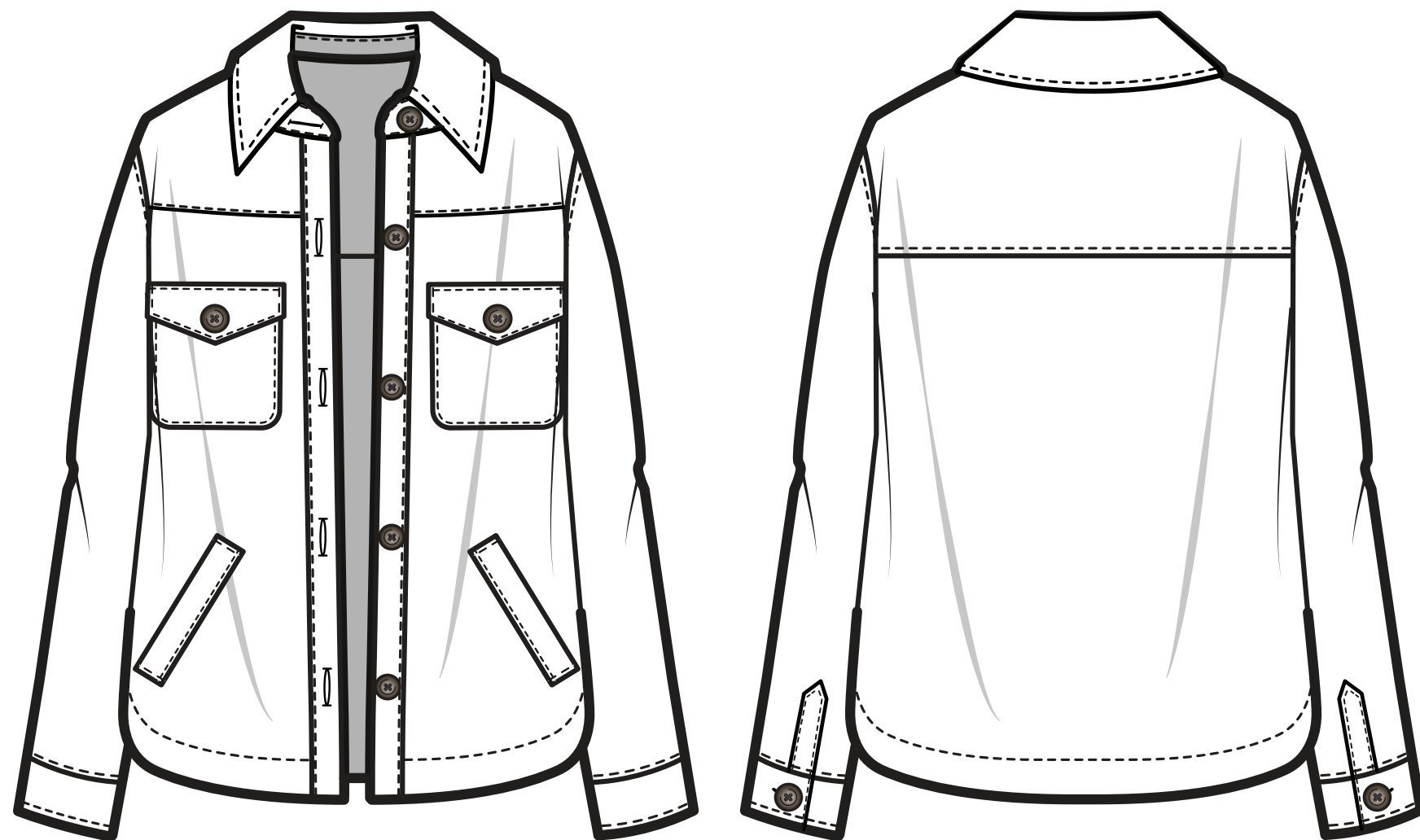


TRENCH COAT



COATIGAN

THE SHORTIE SHORELINE SHACKET



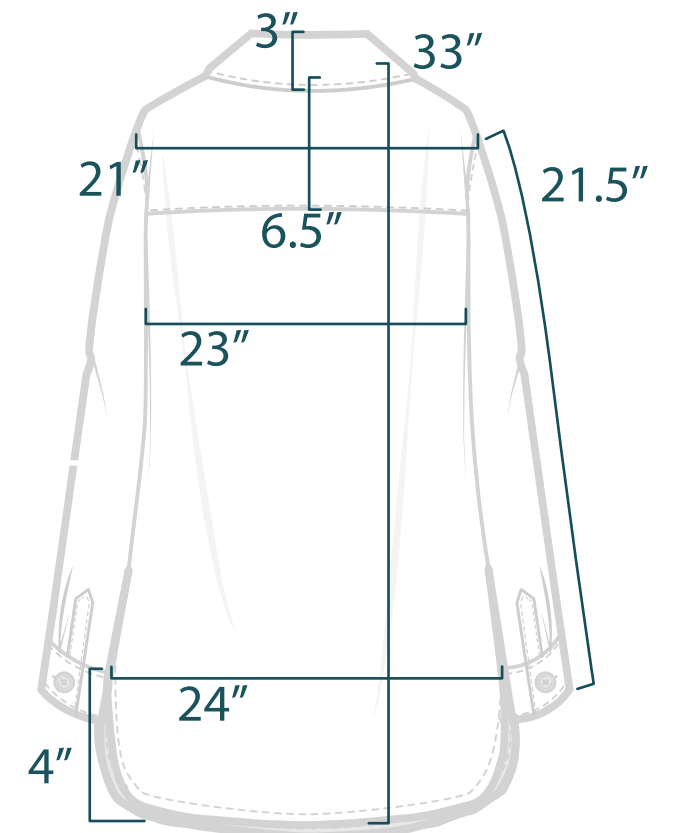
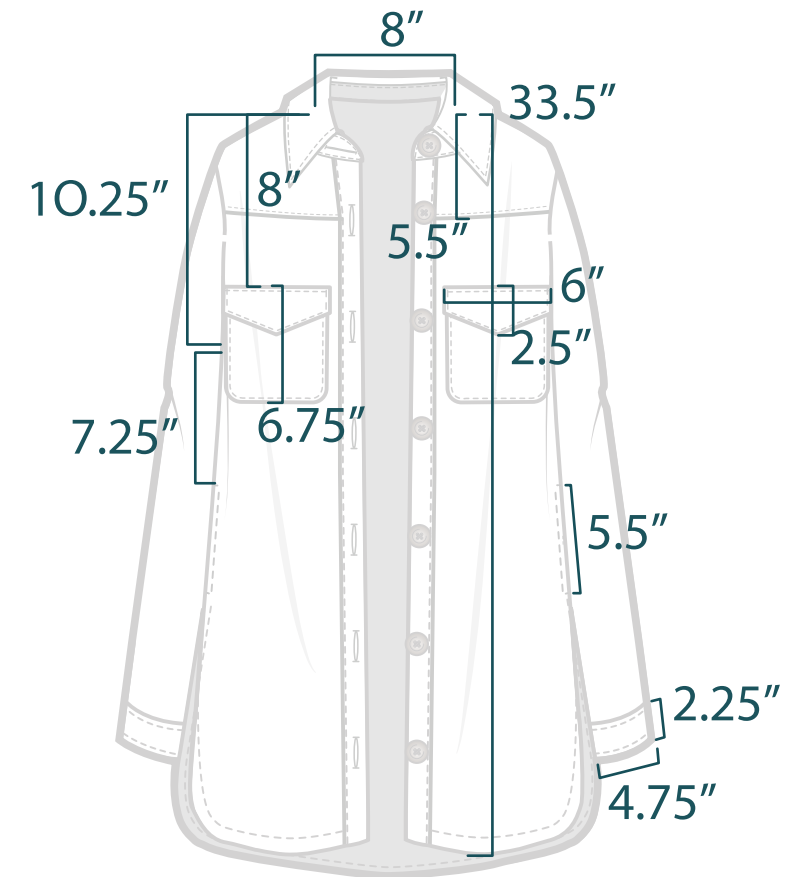
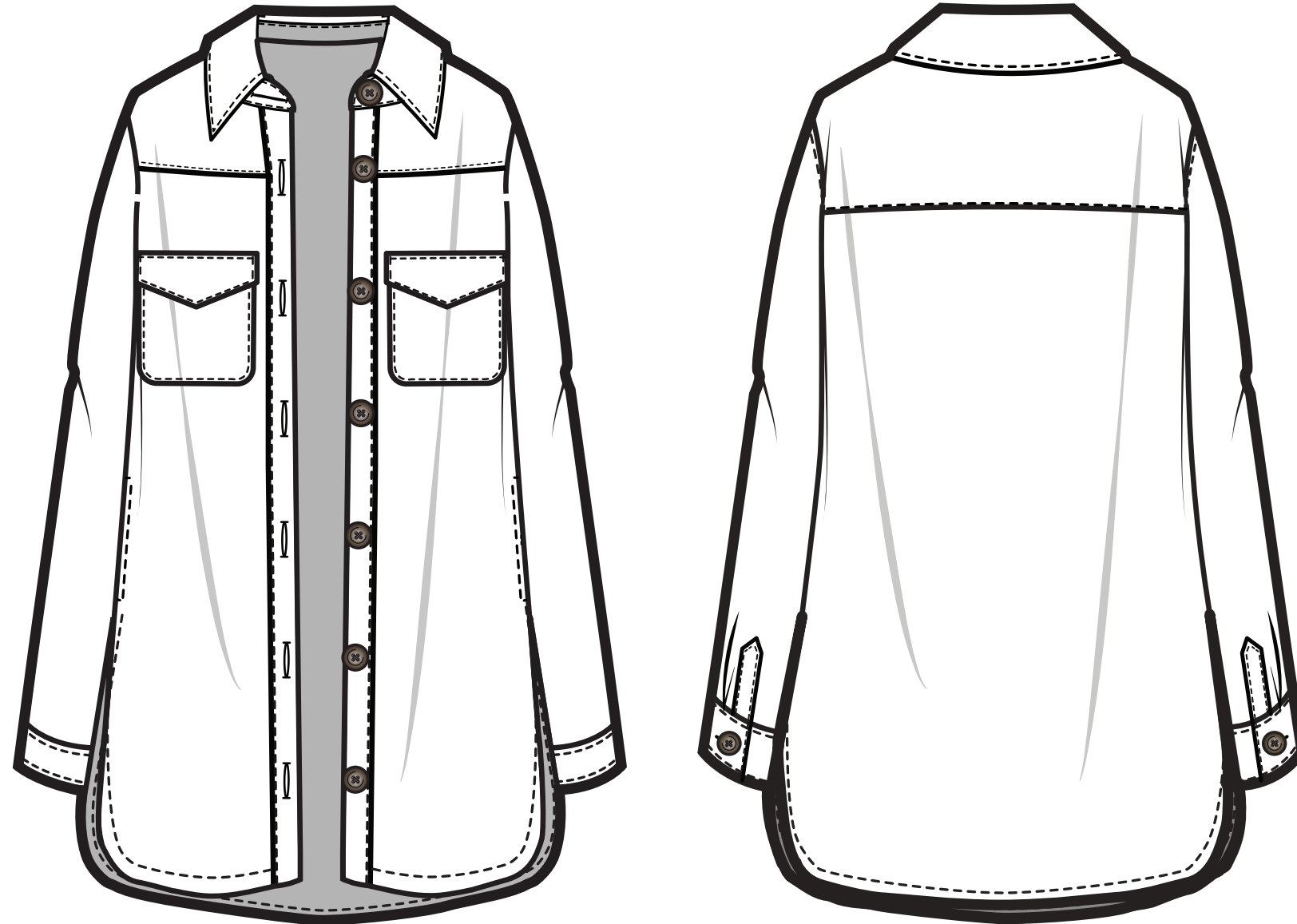
REF #: 2017544

LENGTH: Shortie

FABRICS: Knit Fabrics, Woven Fabrics

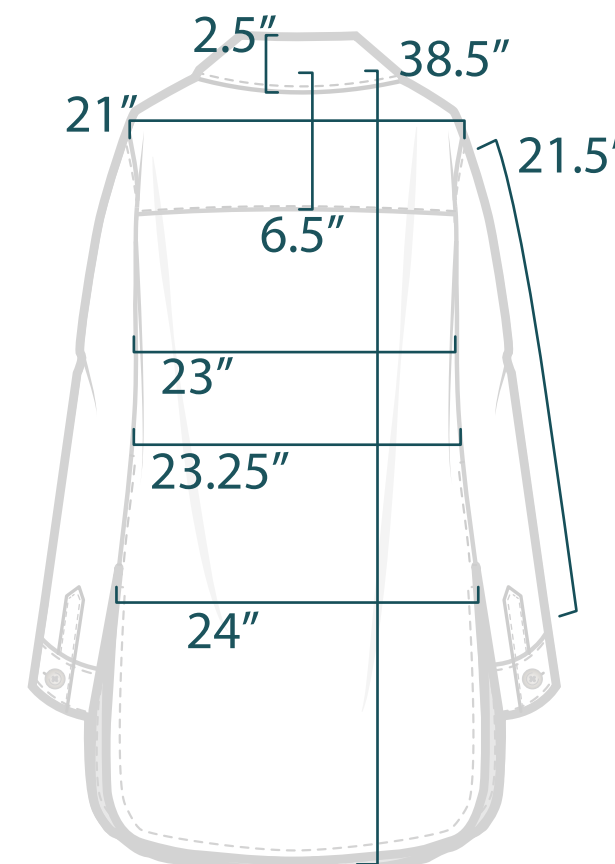
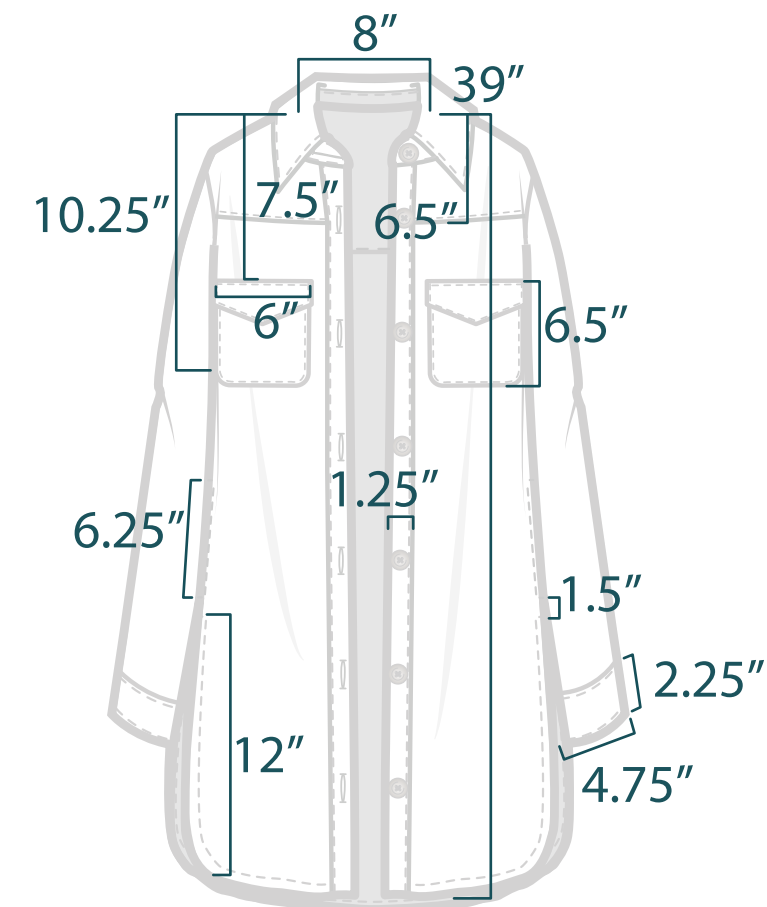
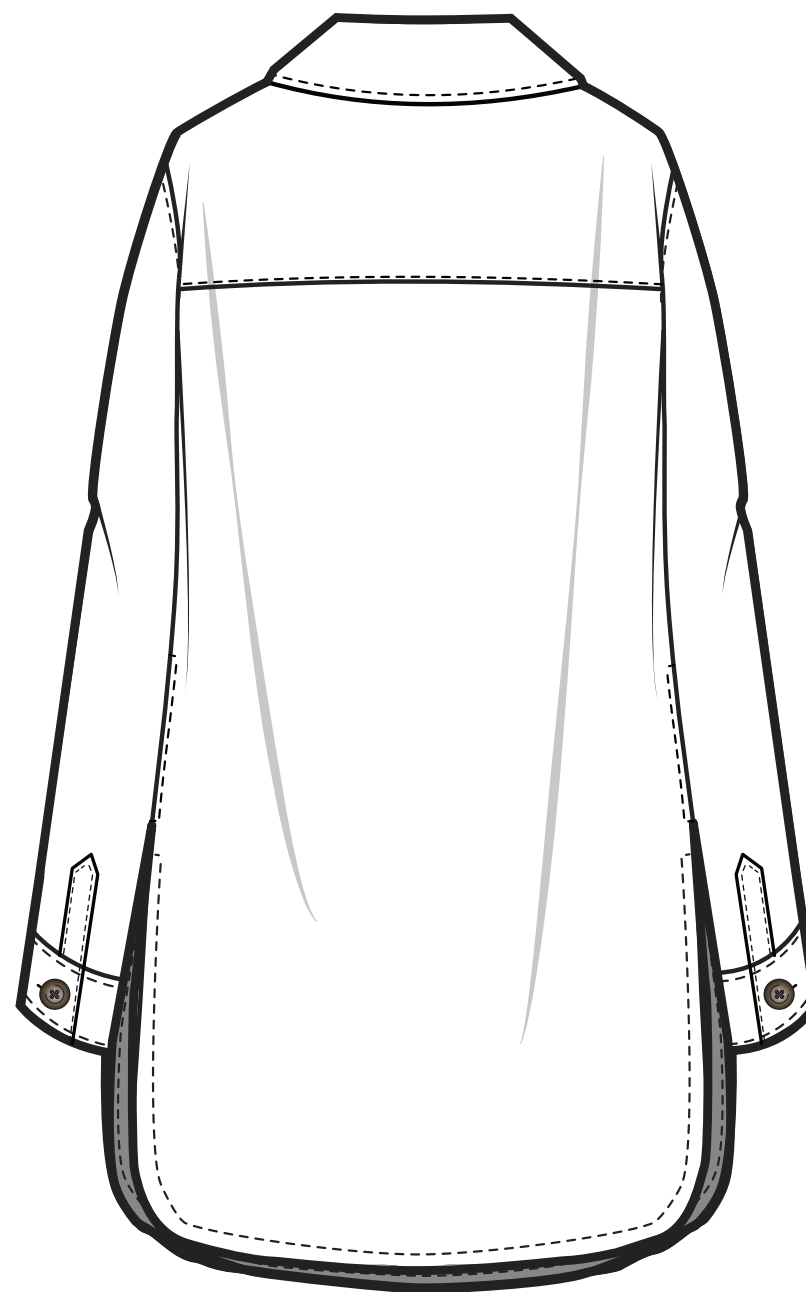
DETAILS: CF Buttons, Yokes, Functional Pockets, Pocket Bag Stabilizer Tape

THE CLASSIC SHACKET



- REF #:** 2016837
- LENGTH:** Classic
- FABRICS:** Woven Fabrics
- DETAILS:** CF Buttons, Yokes, Functional Pockets, Pocket Bag Stabilizer Tape

THE LONGLINE SHACKET



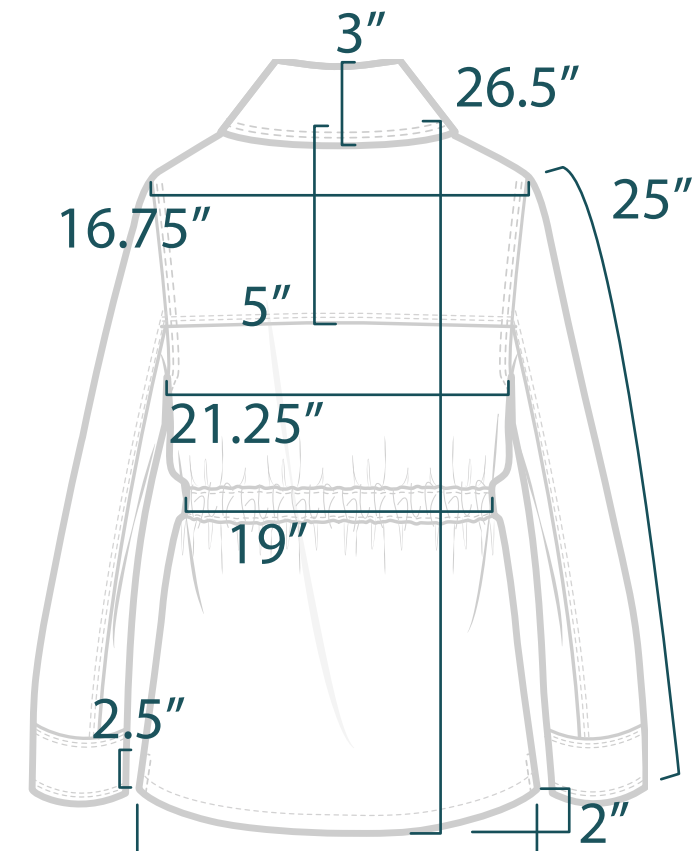
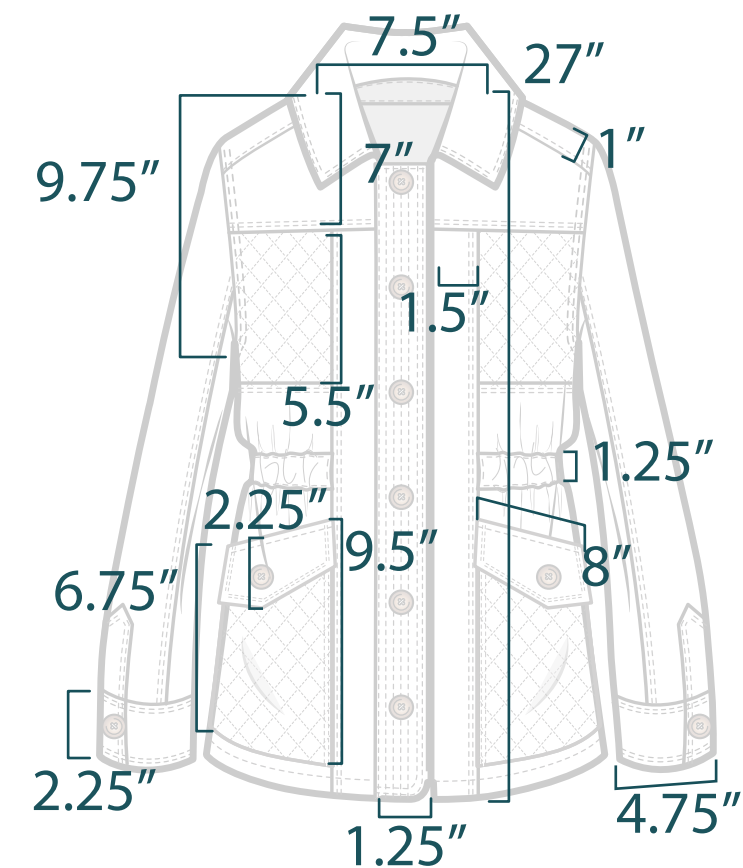
REF #: 2012185

LENGTH: Longline

FABRICS: Woven Fabrics

DETAILS: CF Buttons, Functional Pockets, Pocket Bag Stabilizer Tape, Curve Hem Bias Binding

UTILITY TWILL JACKET



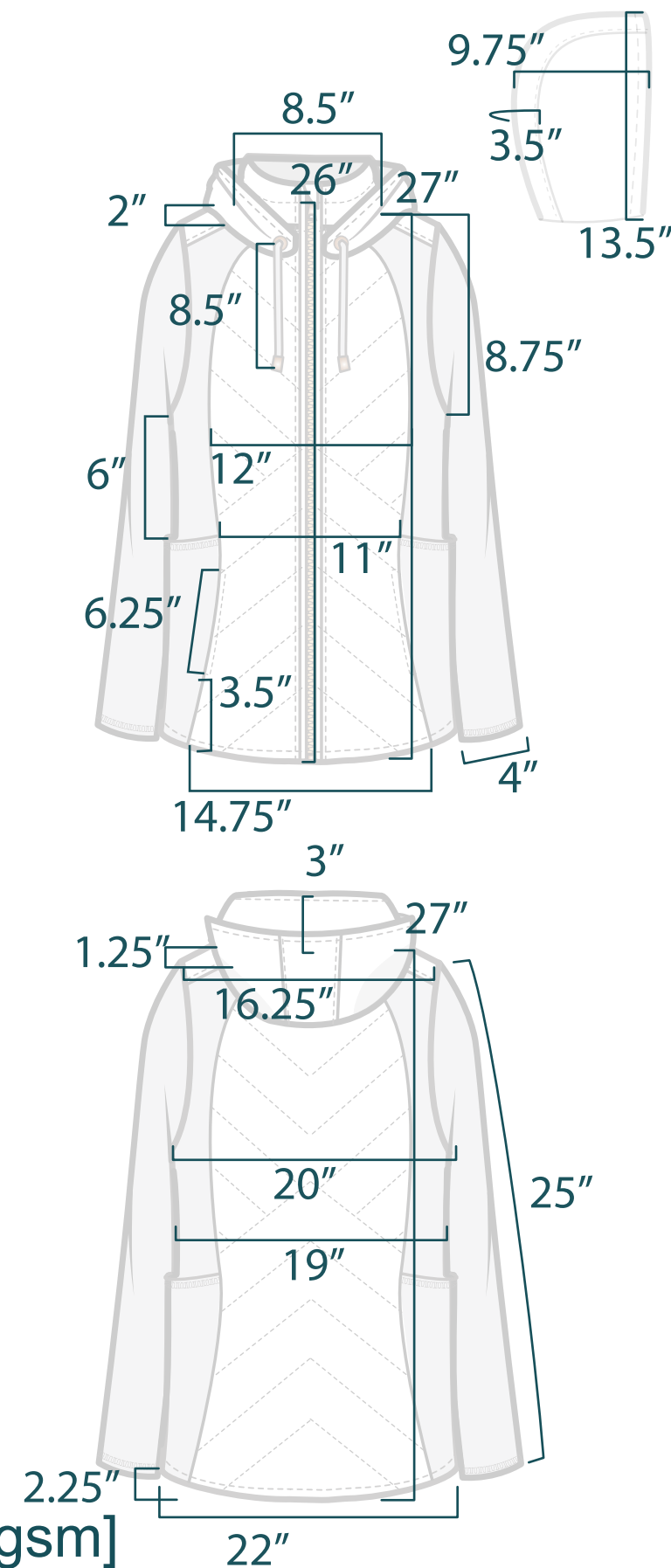
REF #: 2014740

LENGTH: Low Hip

FABRICS: Woven Fabrics [Unlined Body]

DETAILS: CF Buttons, Elastic Waist, Yokes, Trapunto Stitching, Functional Pockets

THE ALL ADVENTURE JACKET



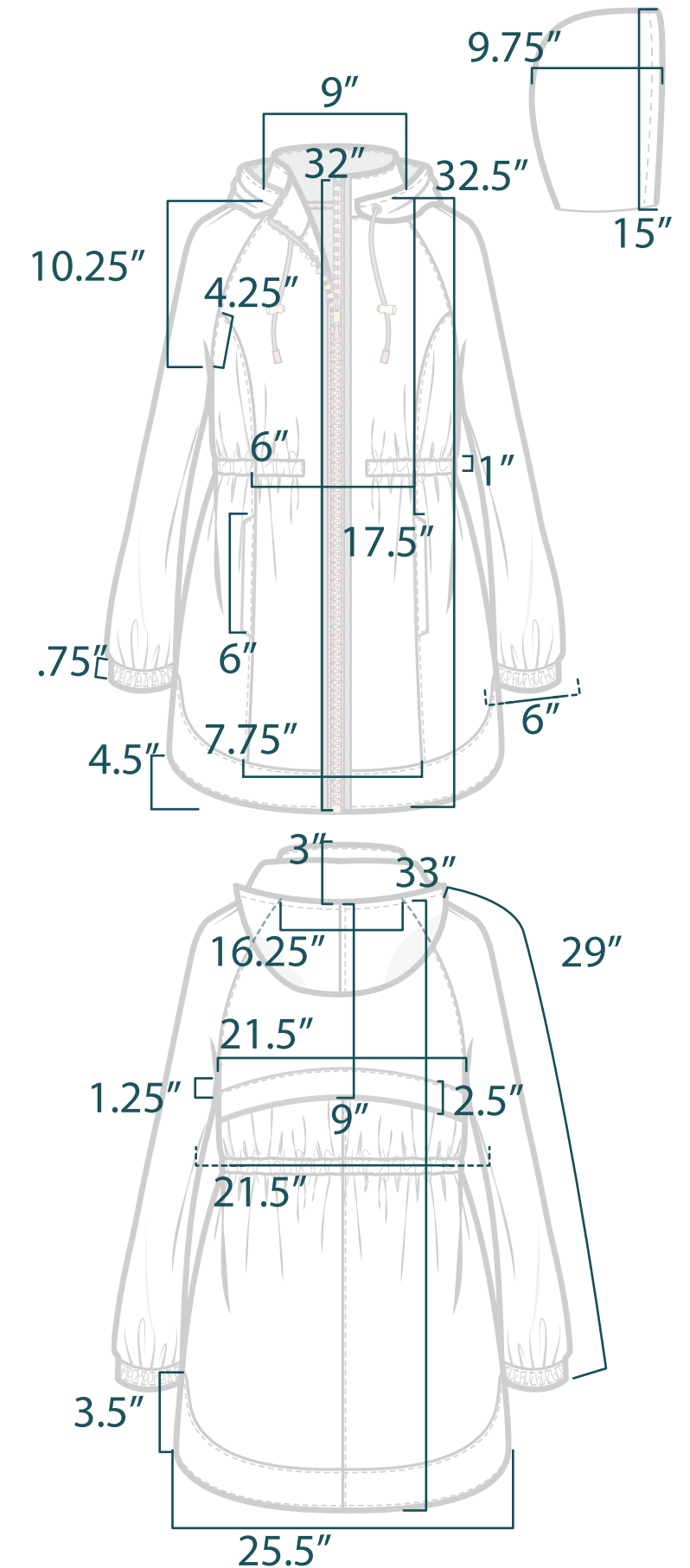
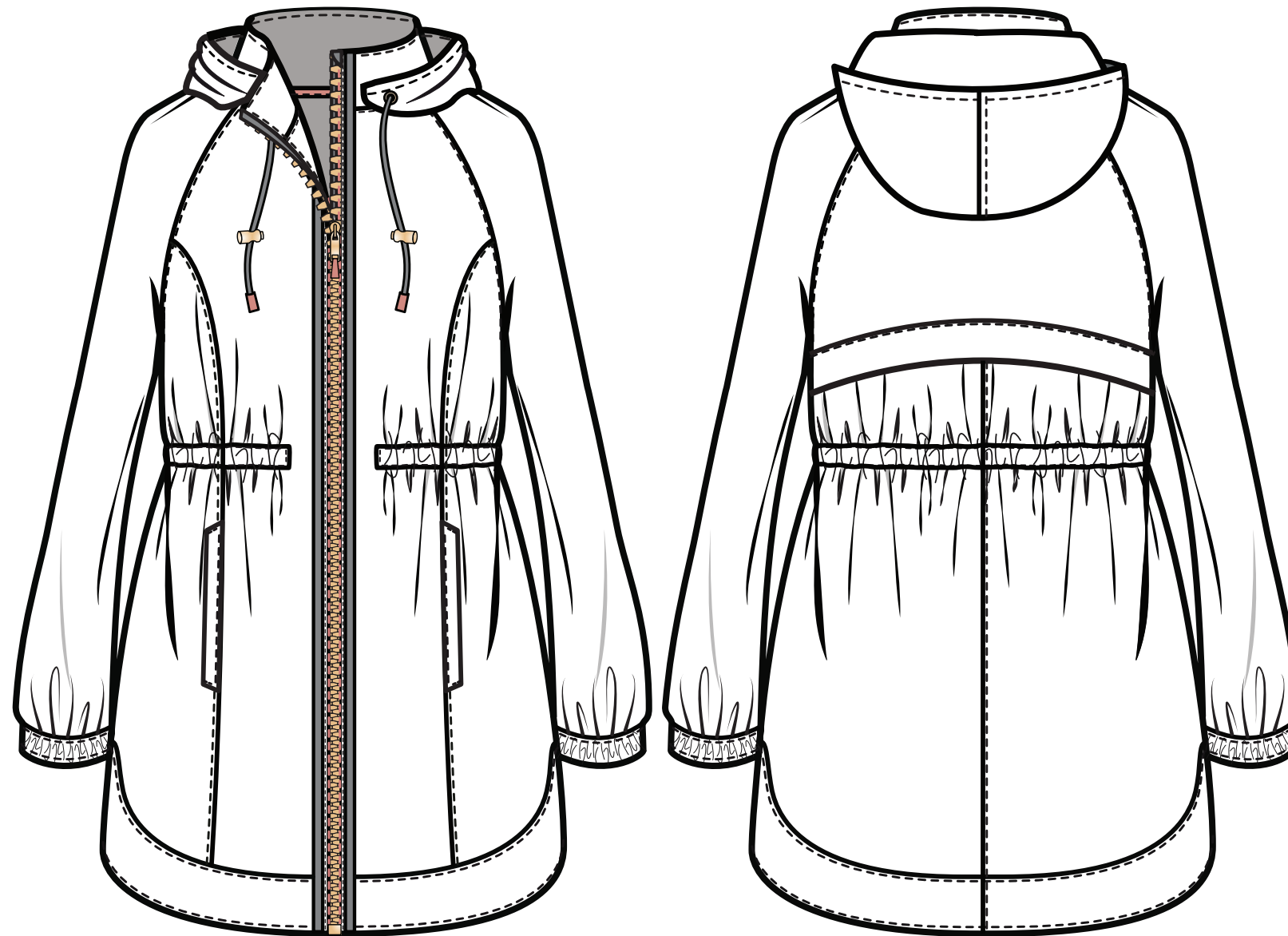
REF #: 2019386

LENGTH: Low Hip

FABRICS: Knit & Woven Fabrics [Partially Lined Body], Sheetpad Fill [120gsm]

DETAILS: CF Zipper, Hood, Side Knit Panels, Quilting, Functional Seam Pockets

THE UPTRAIL JACKET



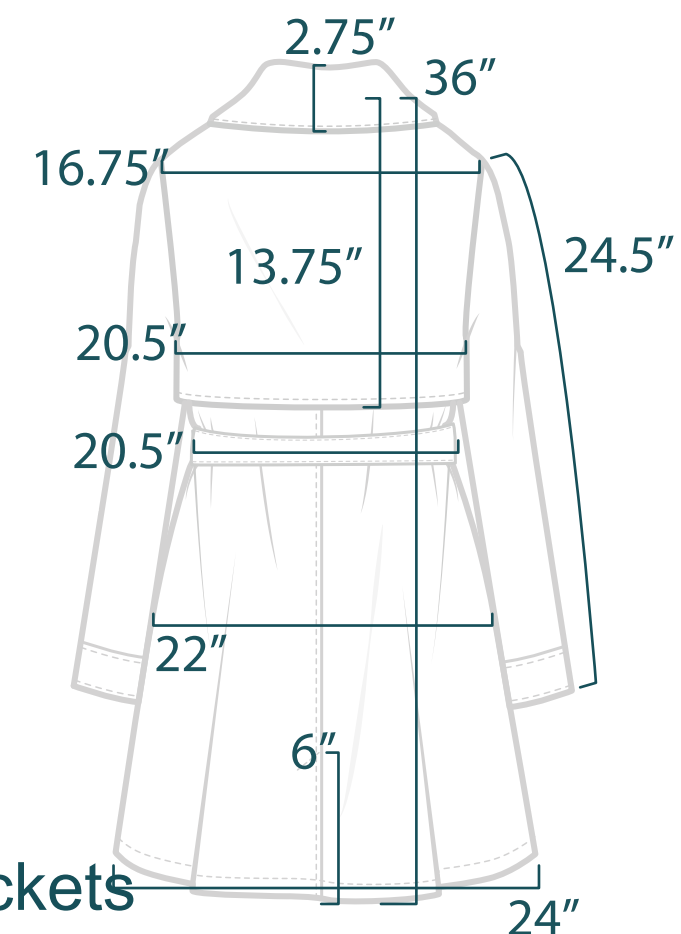
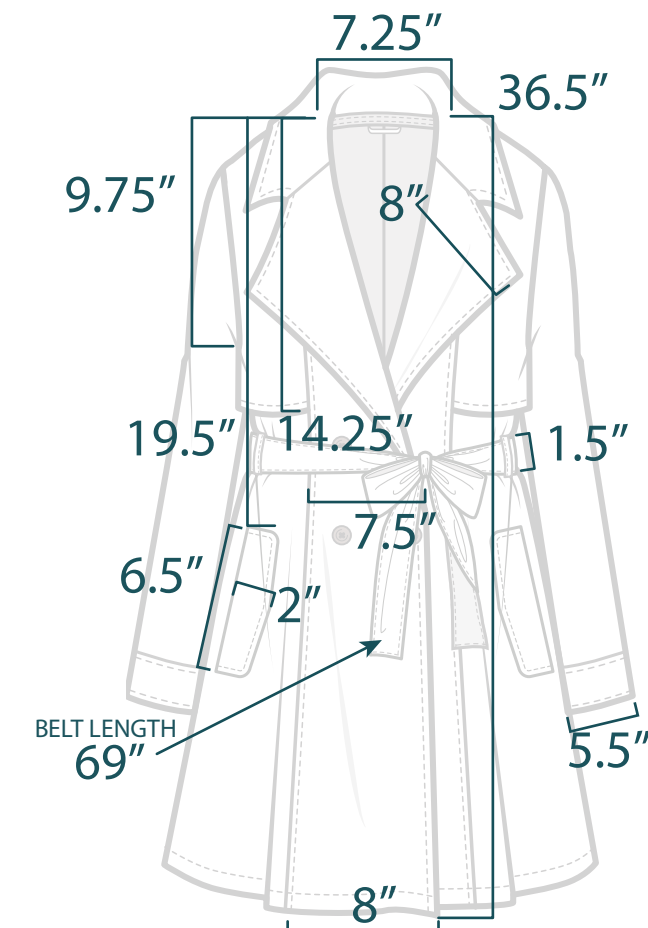
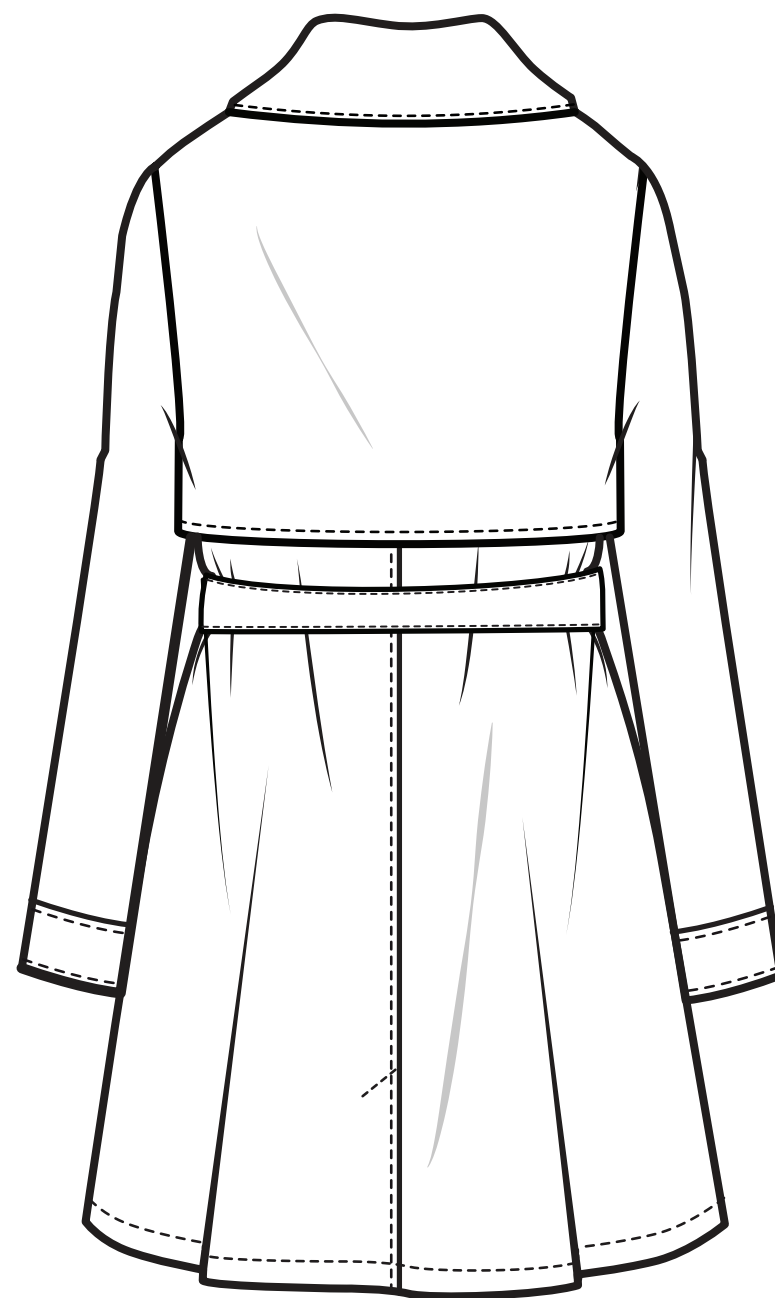
REF #: 2019903

LENGTH: Classic

FABRICS: Woven Fabrics [Unlined Body]

DETAILS: CF Zipper, Hood/Drawcord, Elastic Drawcord Waist, Elastic Cuffs, Functional Pockets

THE TRENCH COAT



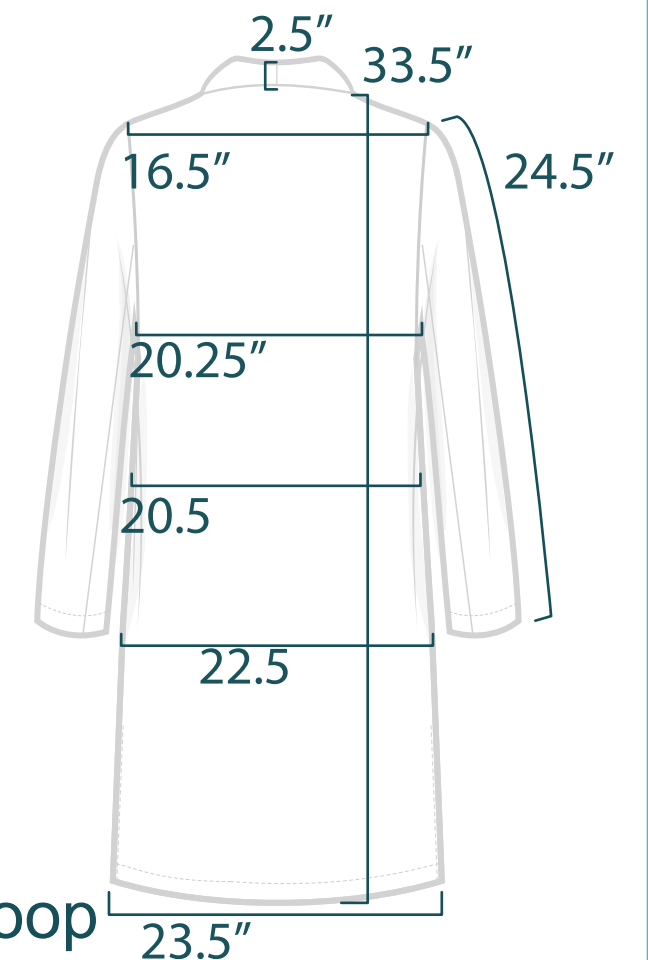
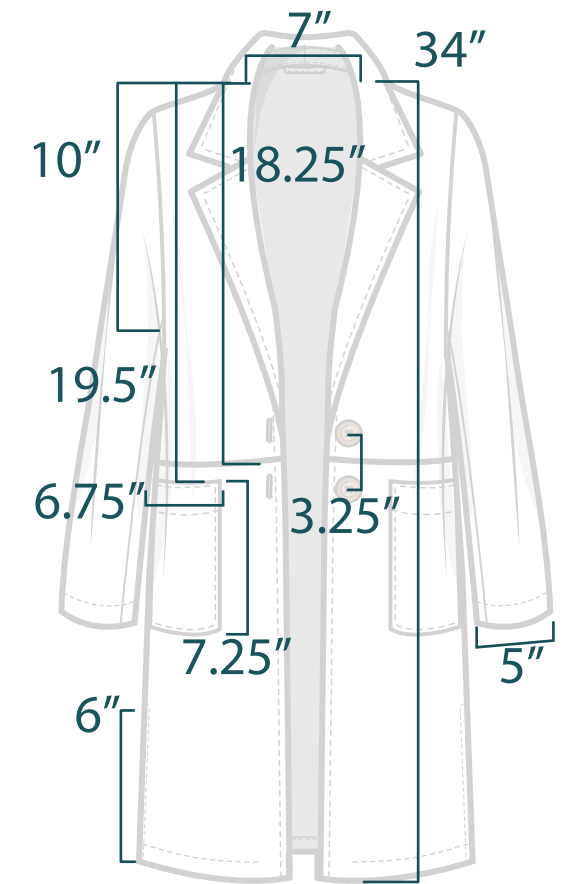
REF #: 2012748

LENGTH: Longline

FABRICS: Woven Fabrics [Unlined Body]

DETAILS: CF Double Breasted Button, Tie Belt, Storm Flaps, Functional Pockets

THE COATIGAN



REF #: 2017887

LENGTH: Duster

FABRICS: Knit Fabrics [Unlined Body]

DETAILS: CF Buttons, Functional Pockets, Waist Seam, 2 Ply Collar, Locker Loop

7000 OUTERWEAR



SNAP FRONT SHERPA
JACKET



MEDIUM LENGTH
PUFFER

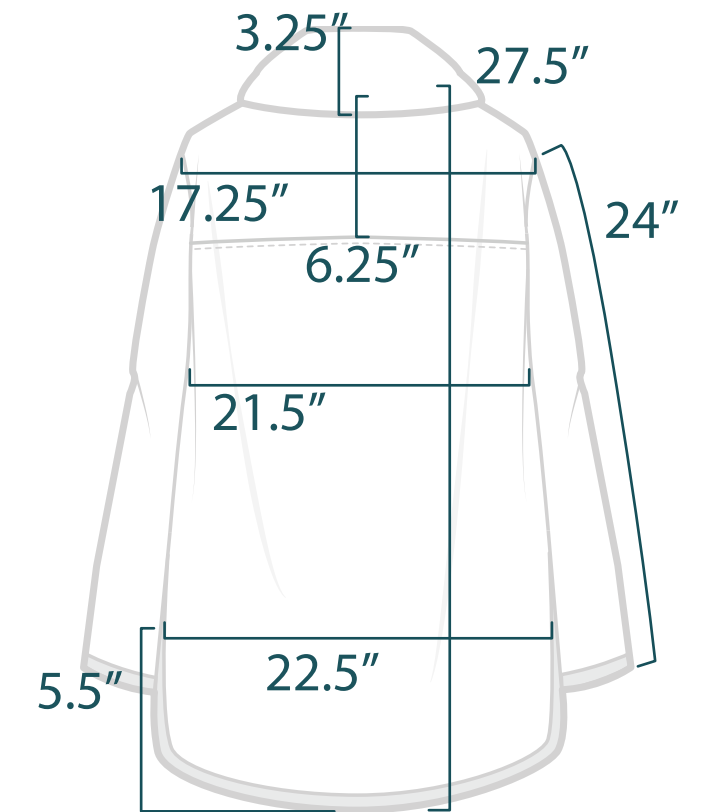
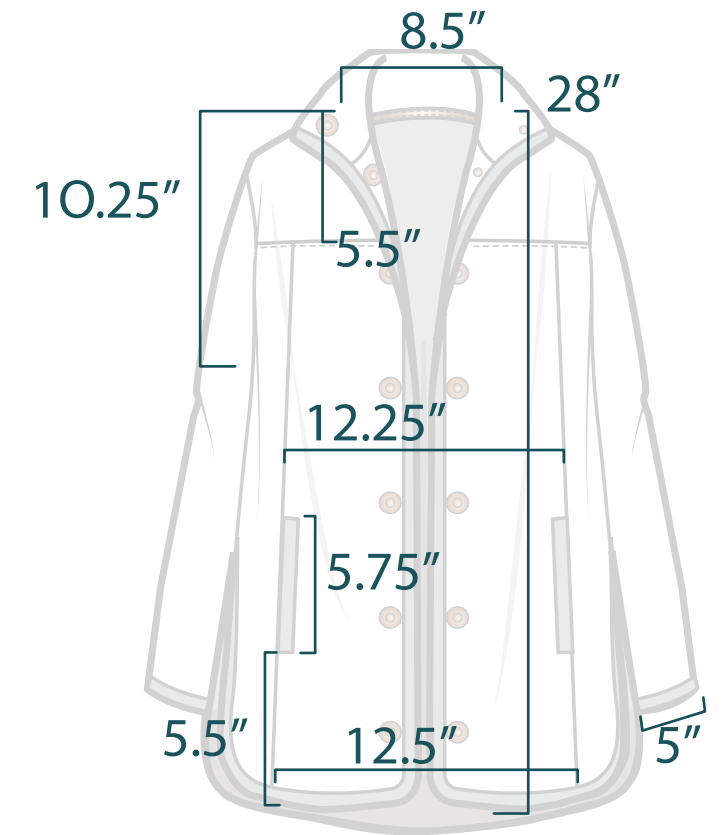


LONGLINE PUFFER



ROBE COAT

THE SNAP FRONT SHERPA JACKET



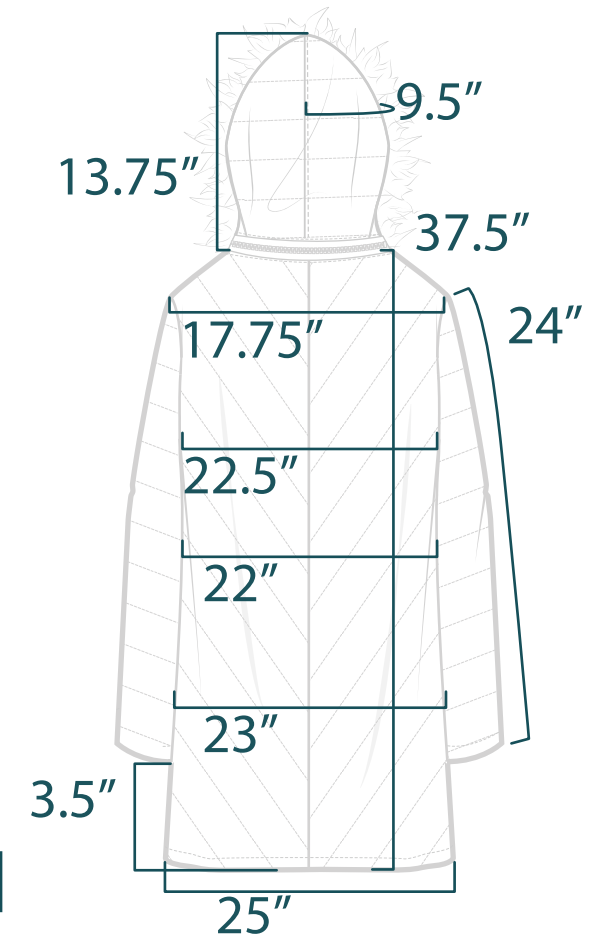
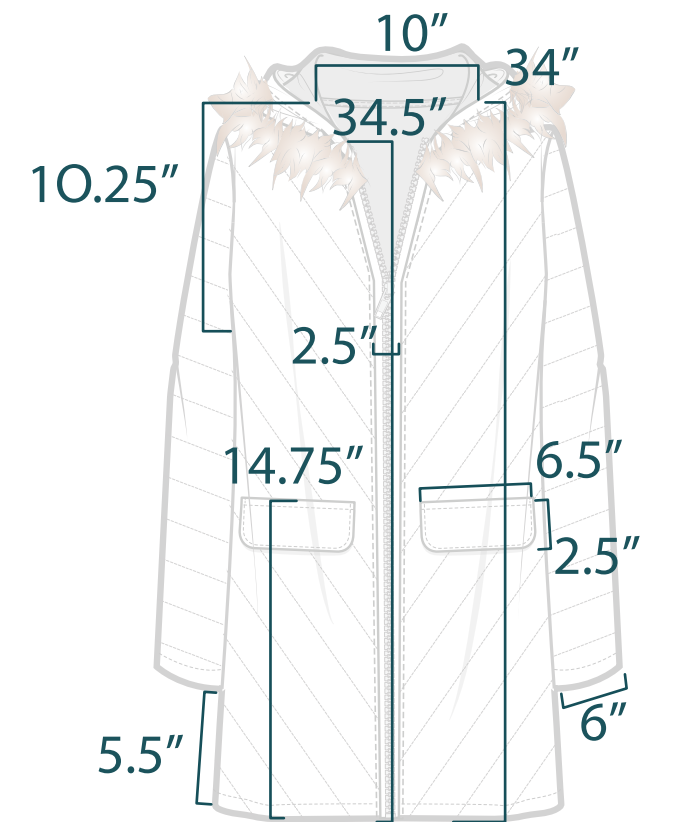
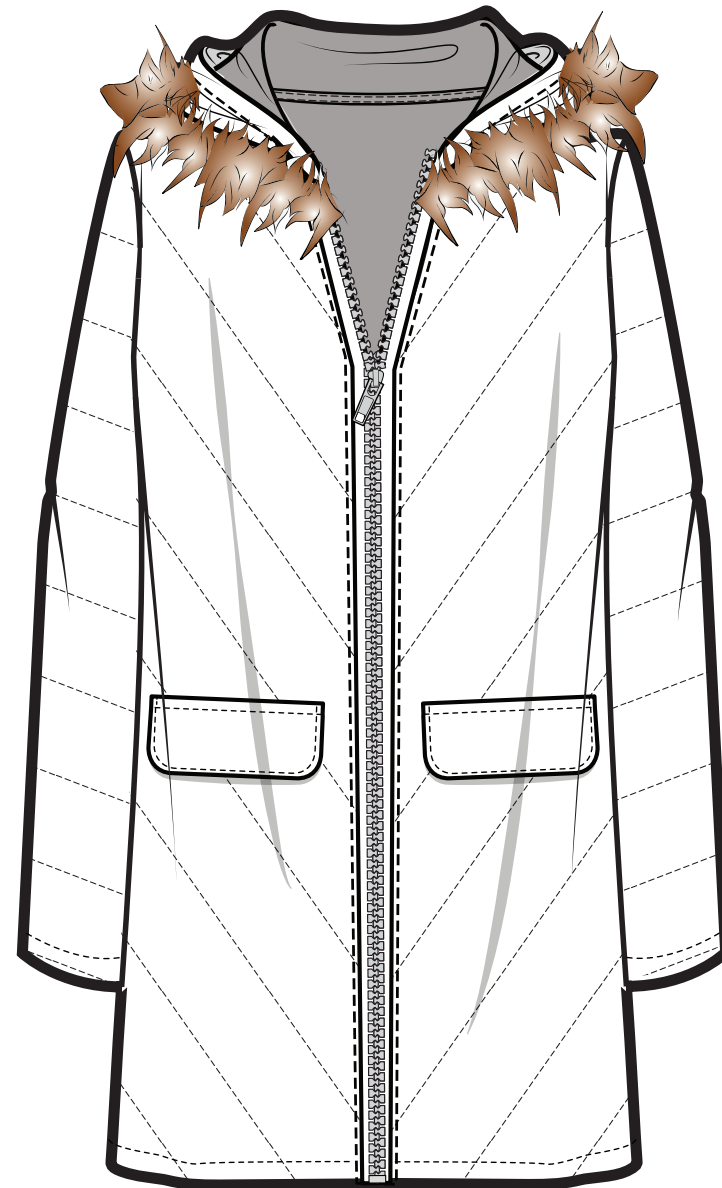
REF #: 2014415

LENGTH: Low Hip

FABRICS: Bonded Knit Fabrics

DETAILS: CF Snaps, On-Seam Pockets, Yokes, Sweep & Sleeve Binding

THE MEDIUM LENGTH PUFFER



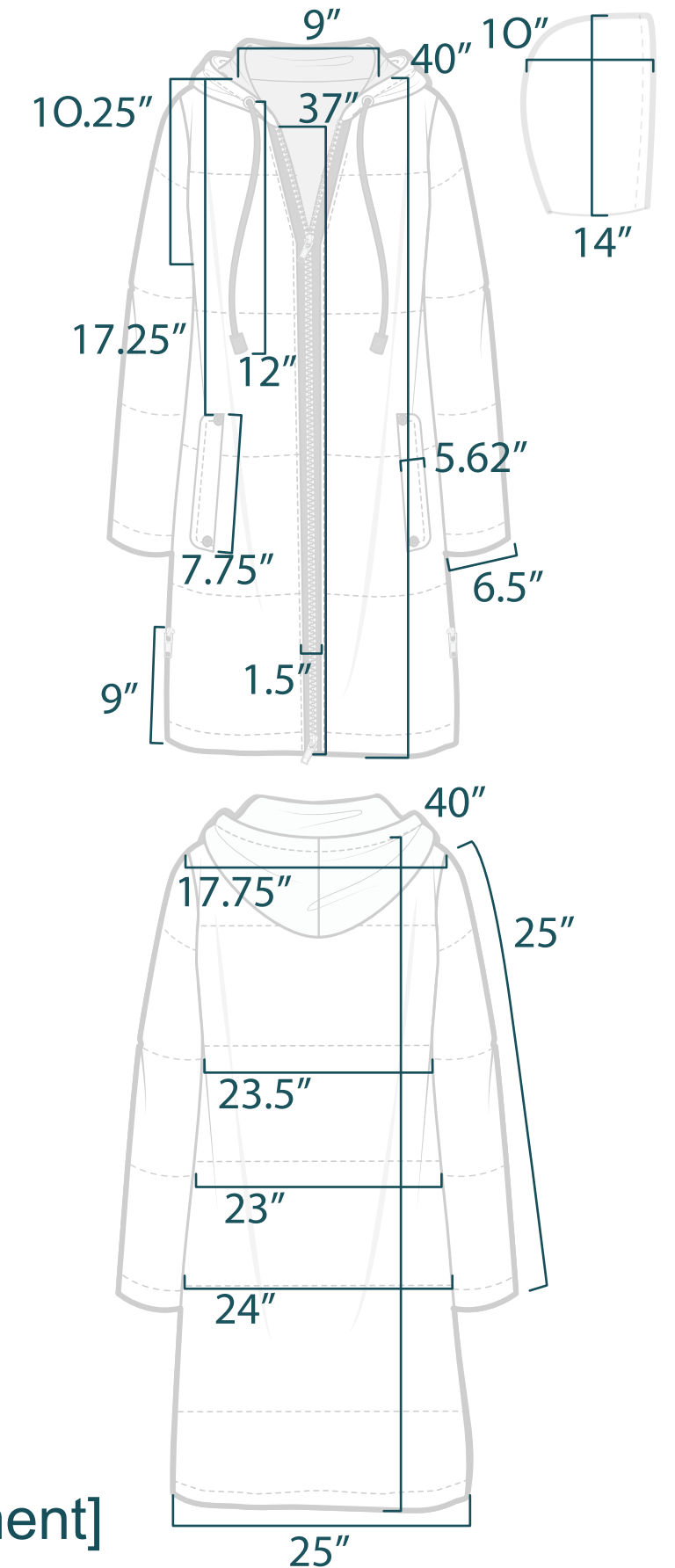
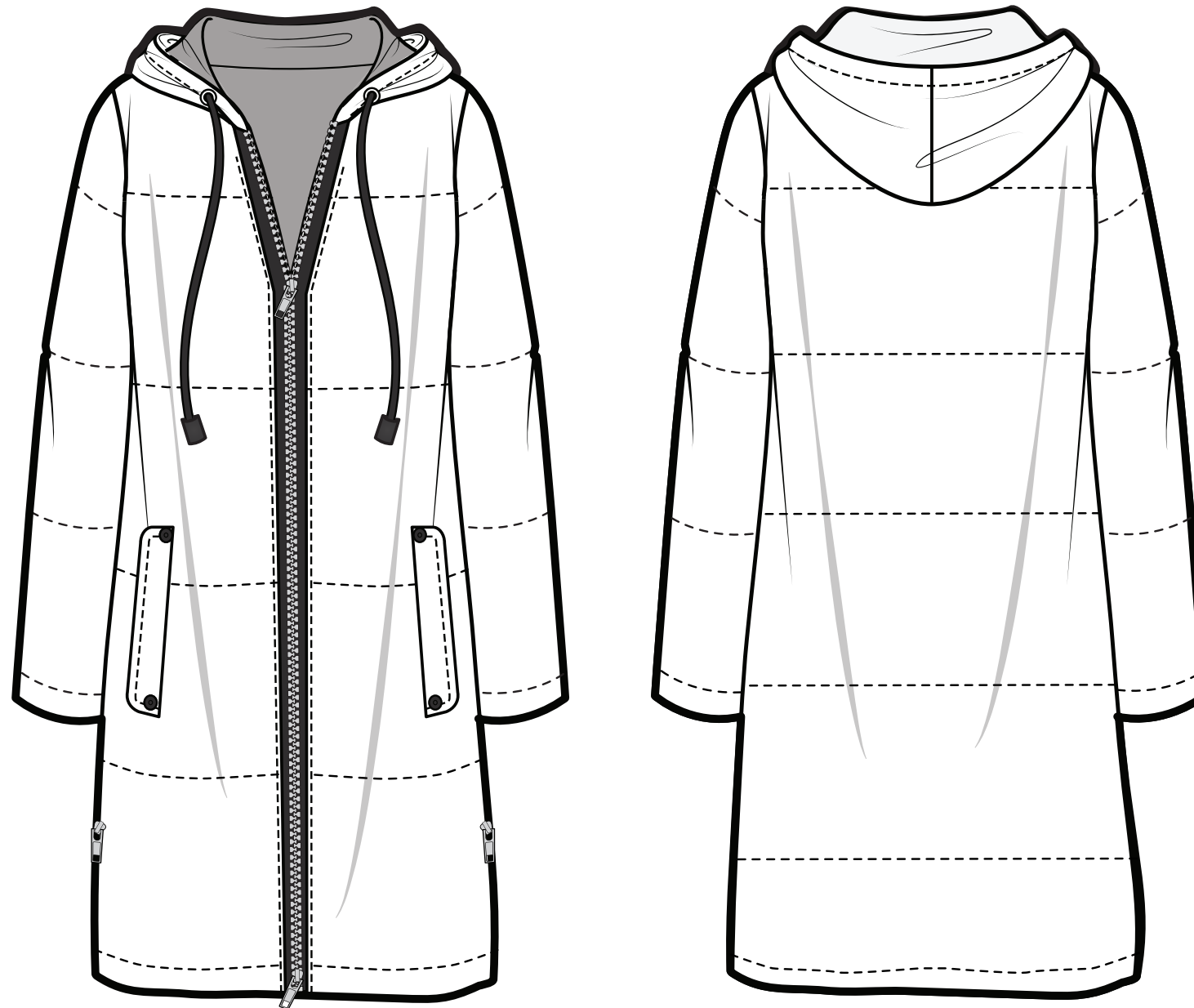
REF #: 2016101

LENGTH: Classic

FABRICS: Woven Fabrics [Fully Lined Body], Handfilled Body [1020g/garment]

DETAILS: CF Zipper, Fleece Lined Pockets, Detach Hood, Fur, Snow Rib Cuff, Quilting

THE LONGLINE PUFFER



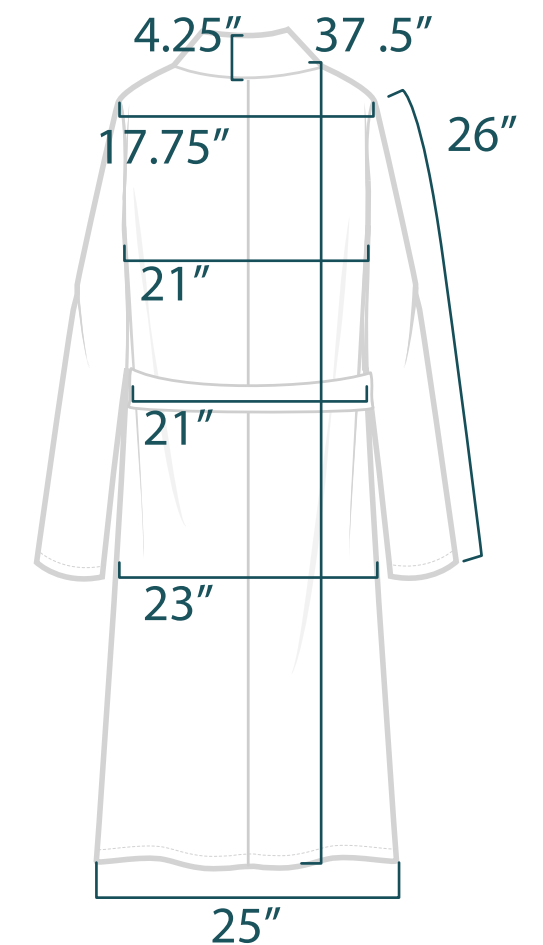
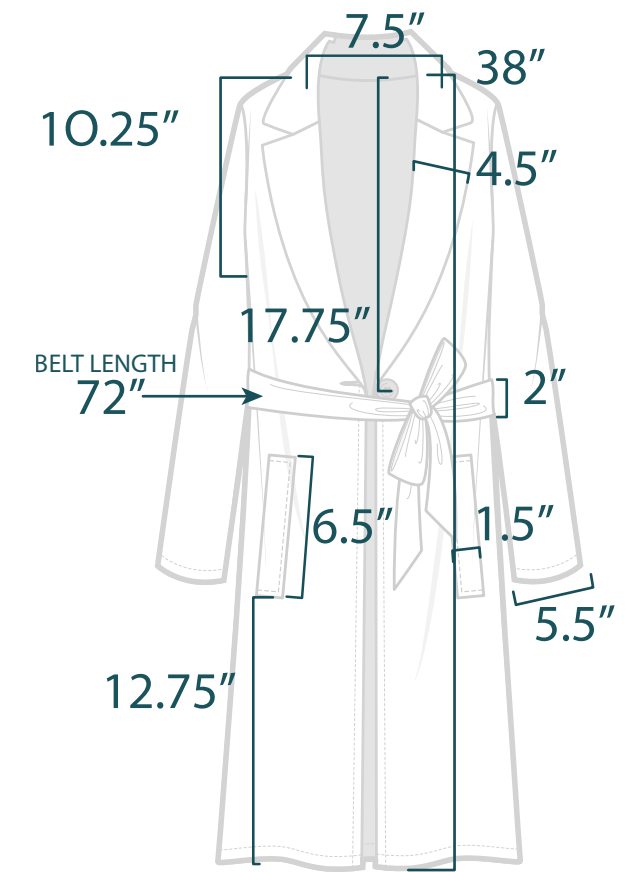
REF #: 2019073

LENGTH: Longline

FABRICS: Woven Fabrics [Fully Lined Body], Handfilled Body [1200g/garment]

DETAILS: CF Zipper, Fleece Lined Pockets + Rivets, Hood, Drawcords, Snow Rib Cuff, Quilting

THE ROBE COAT



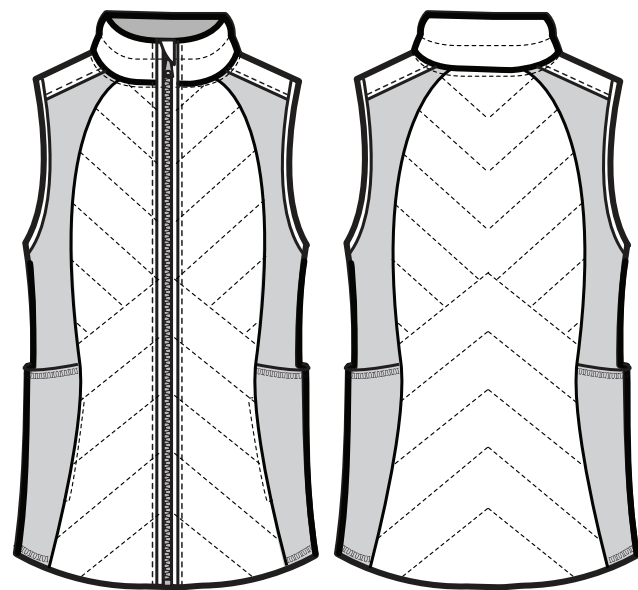
REF #: 2011071

LENGTH: Longline

FABRICS: Woven Fabrics [Fully Lined Body]

DETAILS: CF Button, Functional Pockets, Tie Belt, Collar/Lapel Facings

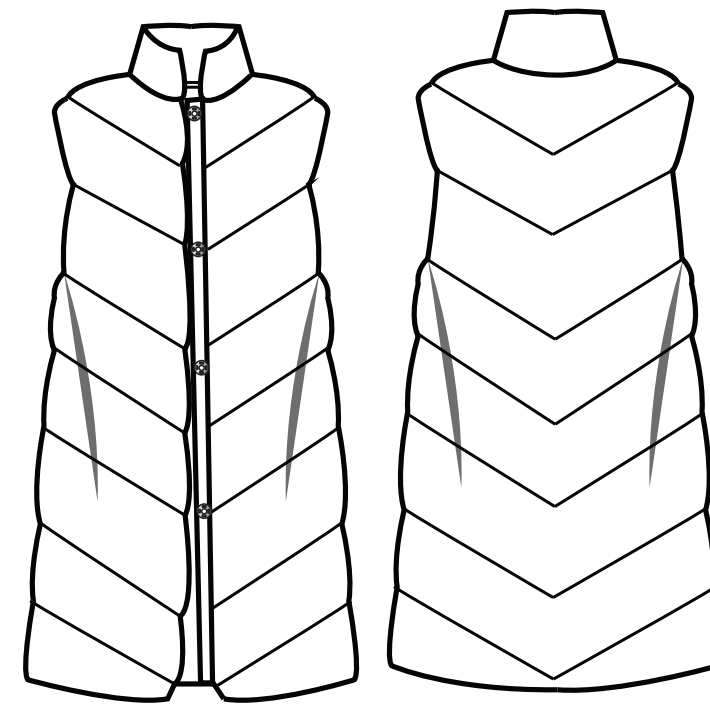
800 VESTS



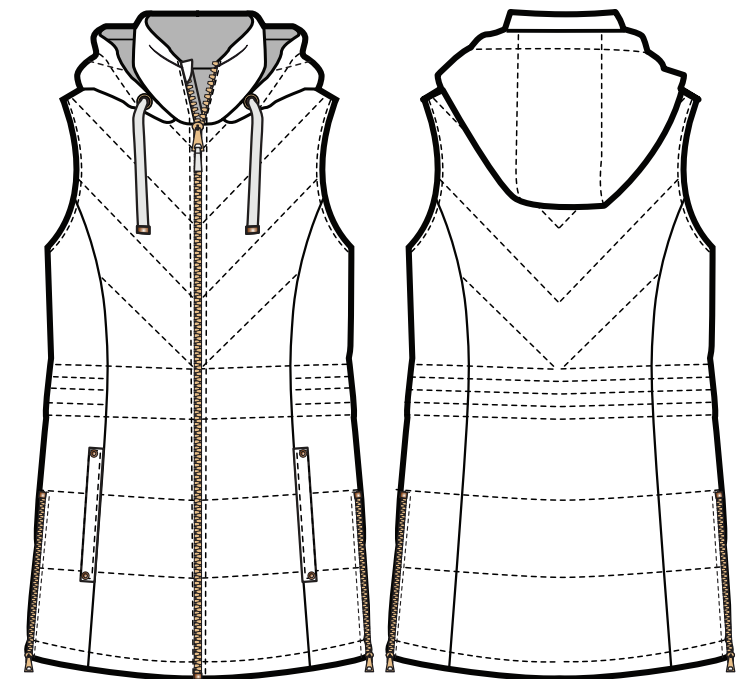
ALL ADVENTURE VEST



PLAID VEST

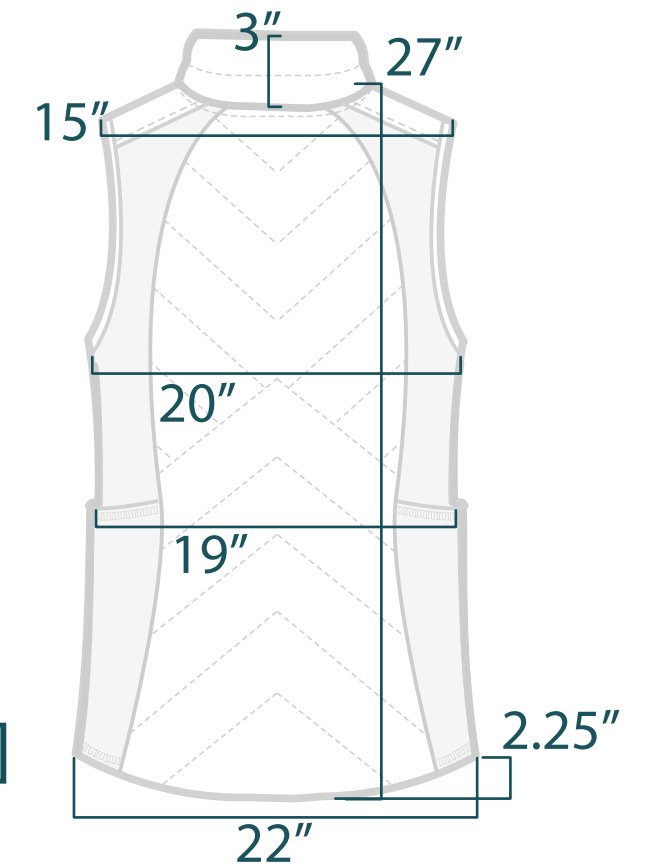
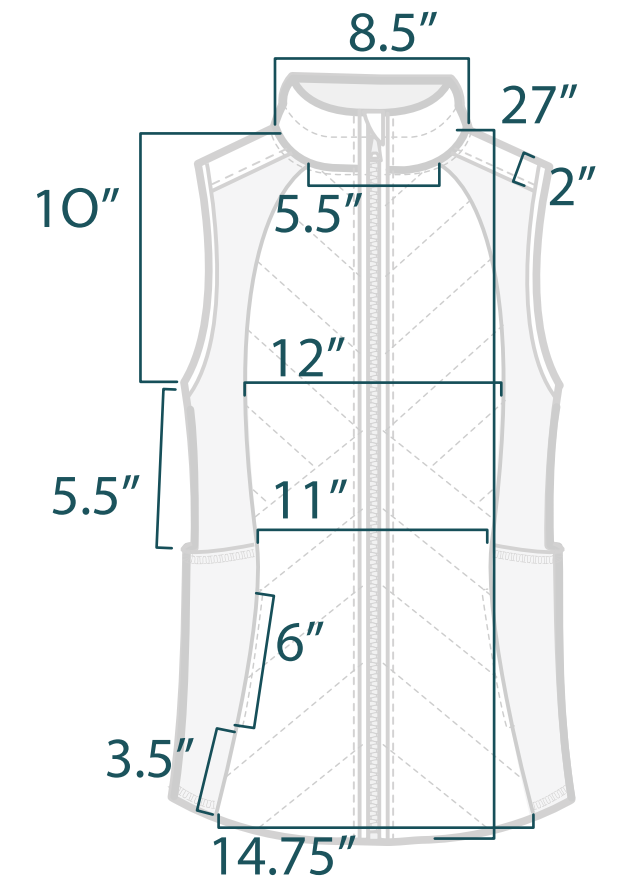
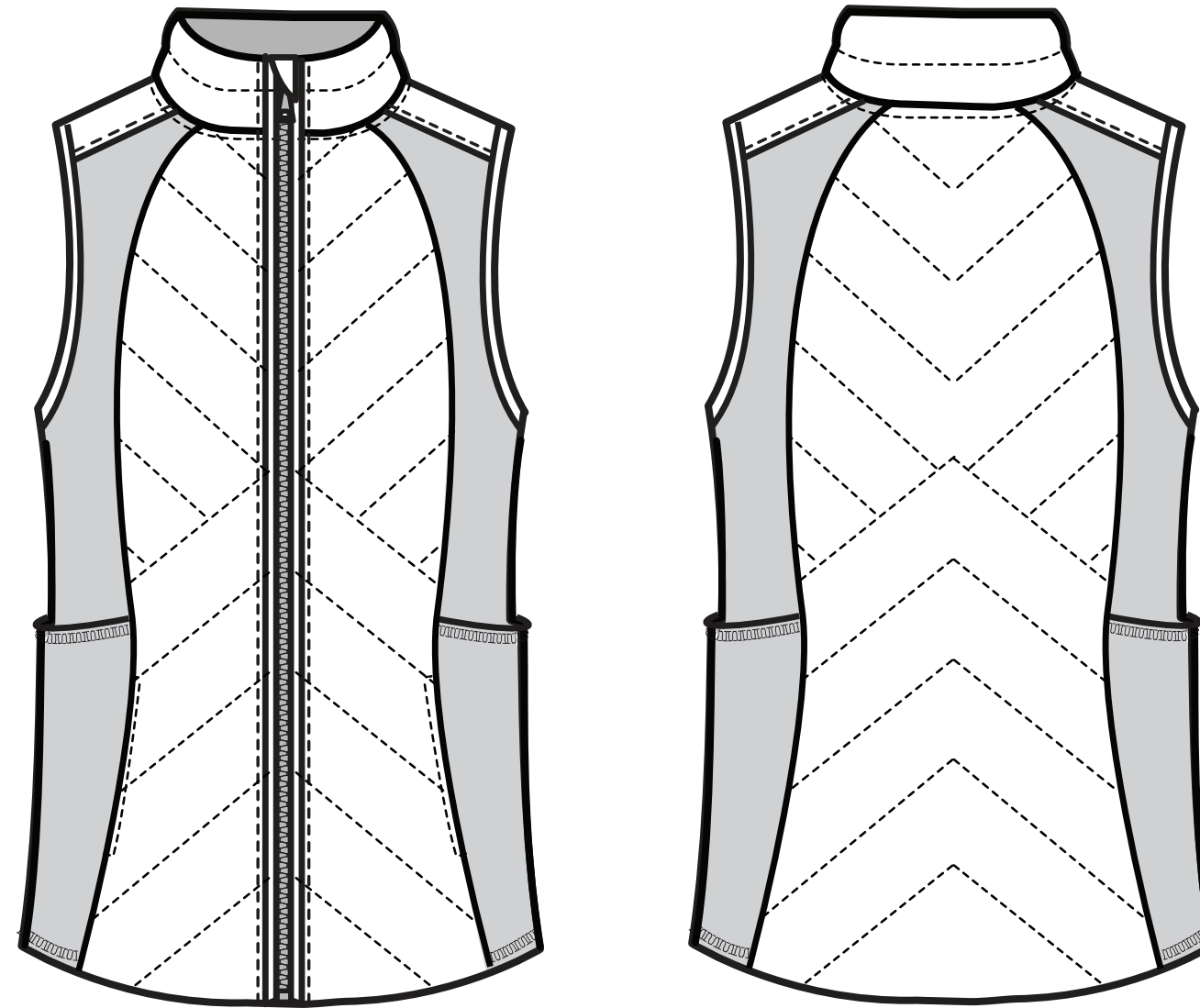


FUR PUFFER



LONGLINE ACTIVE PUFFER

THE ALL ADVENTURE VEST



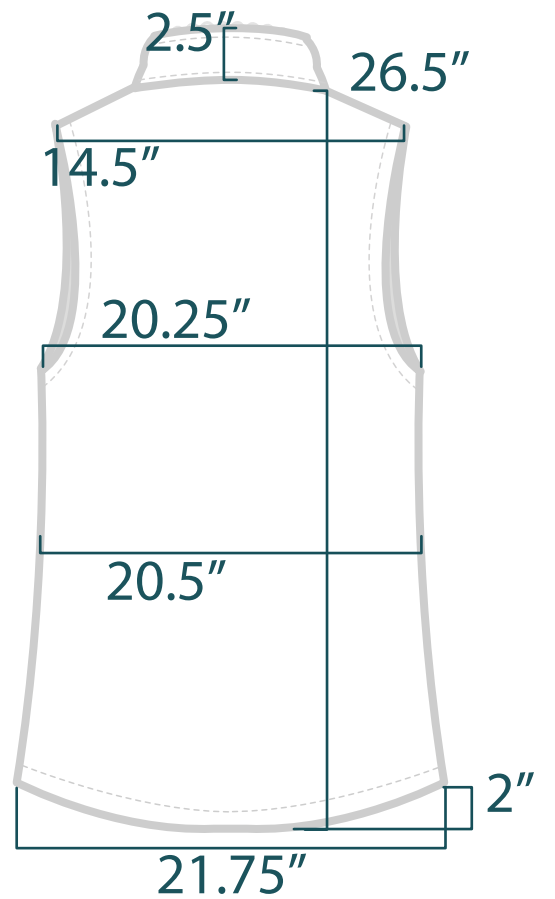
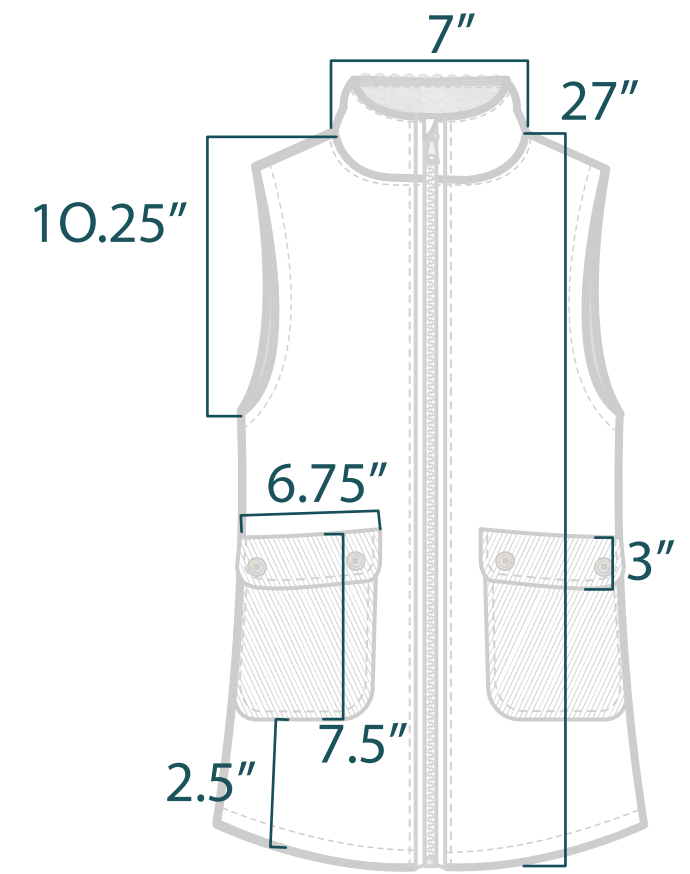
REF #: 2014490

LENGTH: Shortie

FABRICS: Knit & Woven Fabrics [Partially Lined Body], Sheepad Fill [120gsm]

DETAILS: CF Zipper, Functional Pockets, Yokes, Side Panels, Quilting

THE PLAID VEST



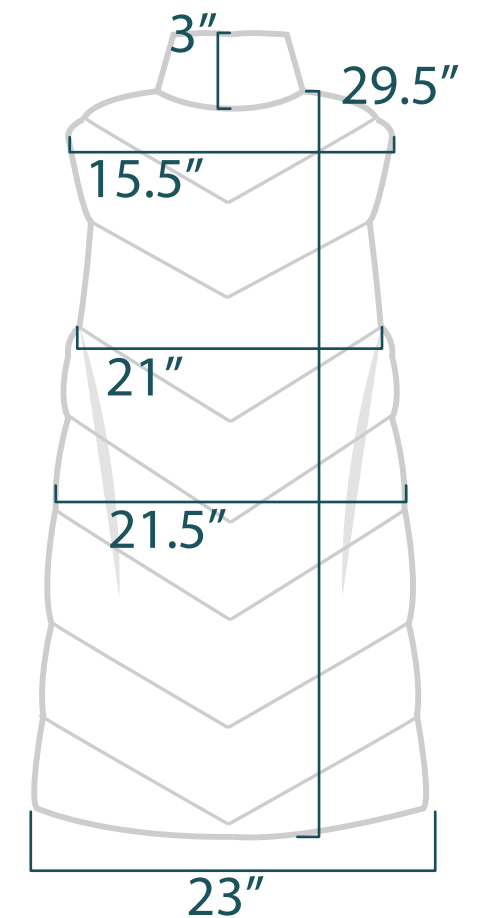
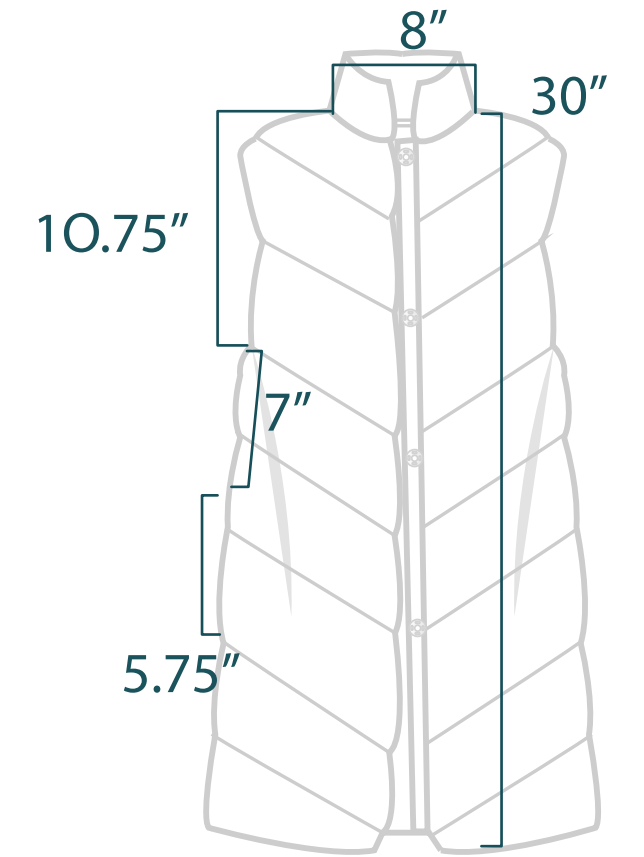
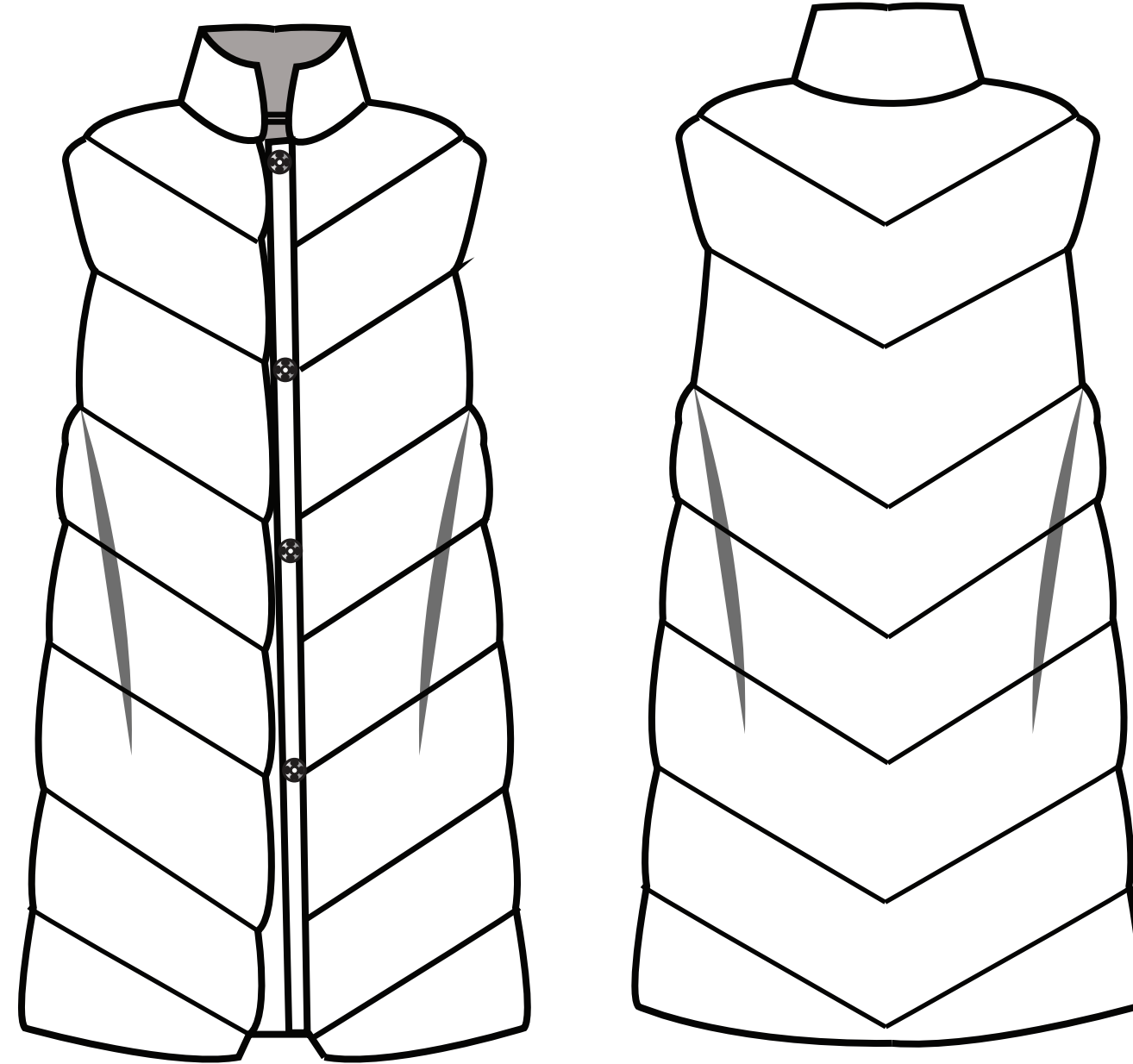
REF #: 2014358

LENGTH: Shortie

FABRICS: Woven Fabrics [Fully Lined Body], Sheepad Fill [000gsm]

DETAILS: CF Zipper, Functional Pockets + Snaps, Sherpa Lined Body

THE FUR PUFFER



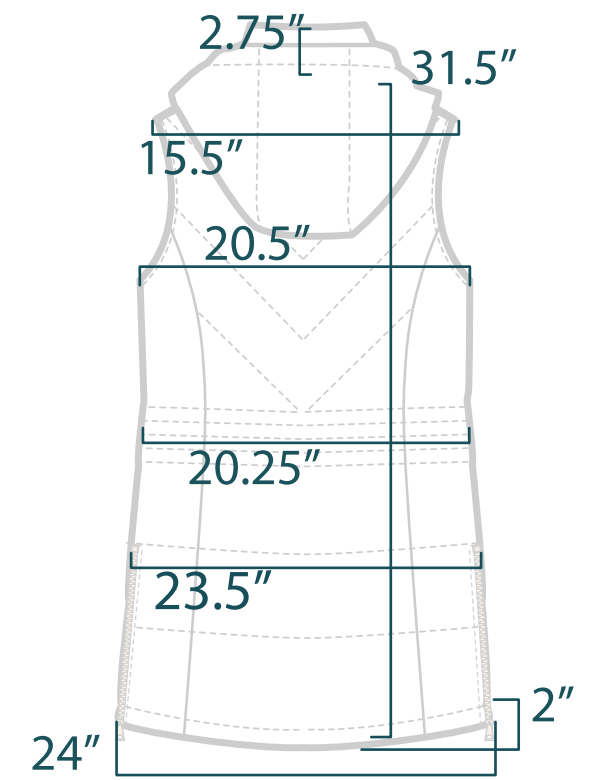
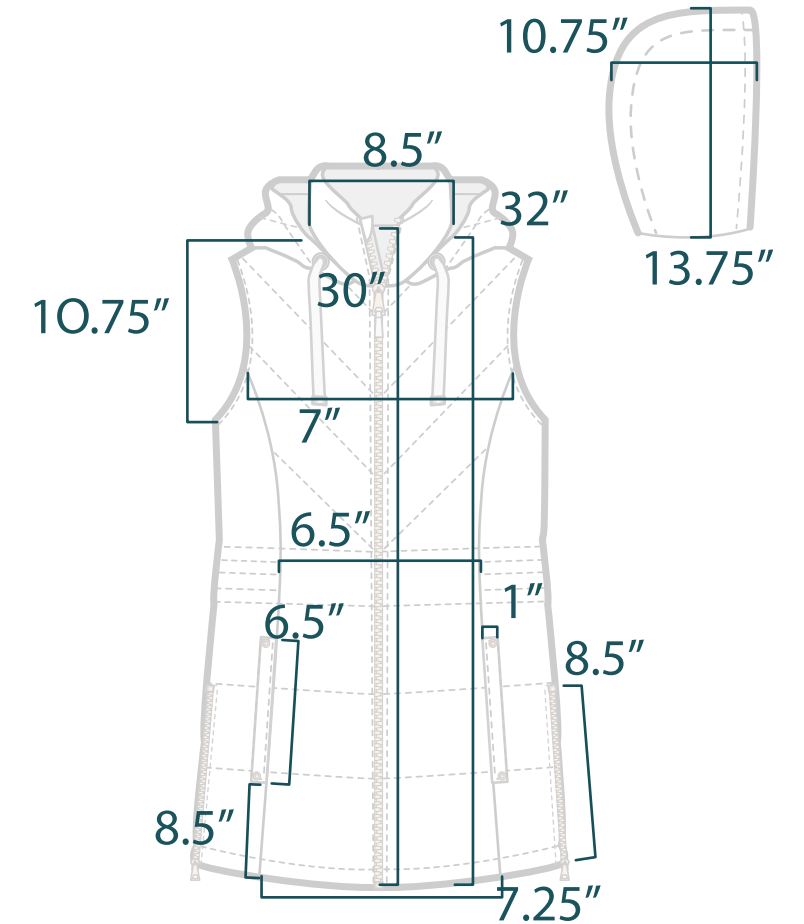
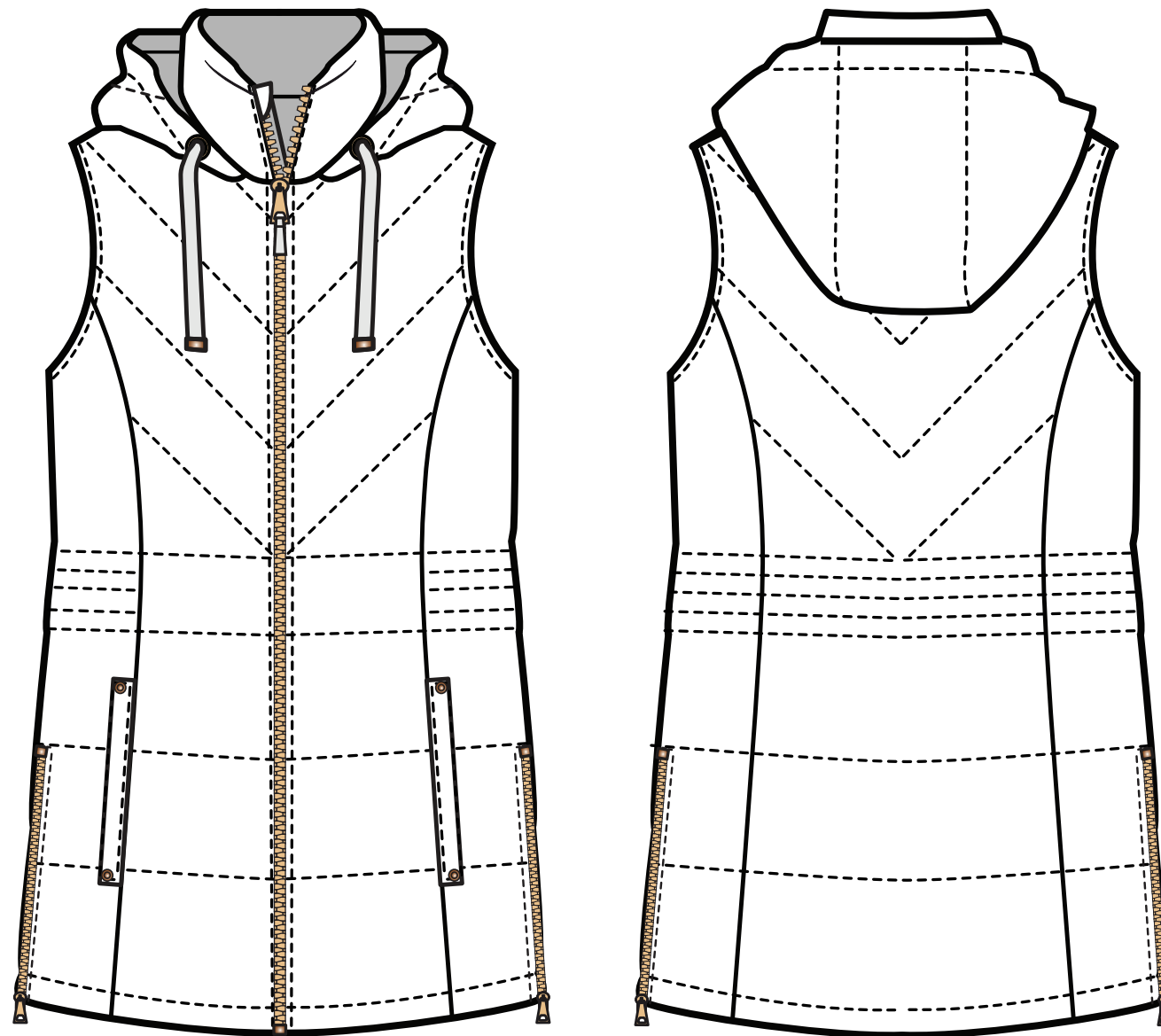
REF #: 2012685

LENGTH: Tunic

FABRICS: Woven Fabrics [Fully Lined Body], Sheepad Fill [000gsm]

DETAILS: CF Snaps, Chevron Quilt Seaming

THE LONGLINE ACTIVE PUFFER



REF #: 2015942

LENGTH: Classic

FABRICS: Woven Fabrics [Fully Lined Body], Sheepad Fill [000gsm]

DETAILS: CF Zipper, Side Zippers, Fleece Lined Pockets + Rivets, Hood, Drawcords, Quilting